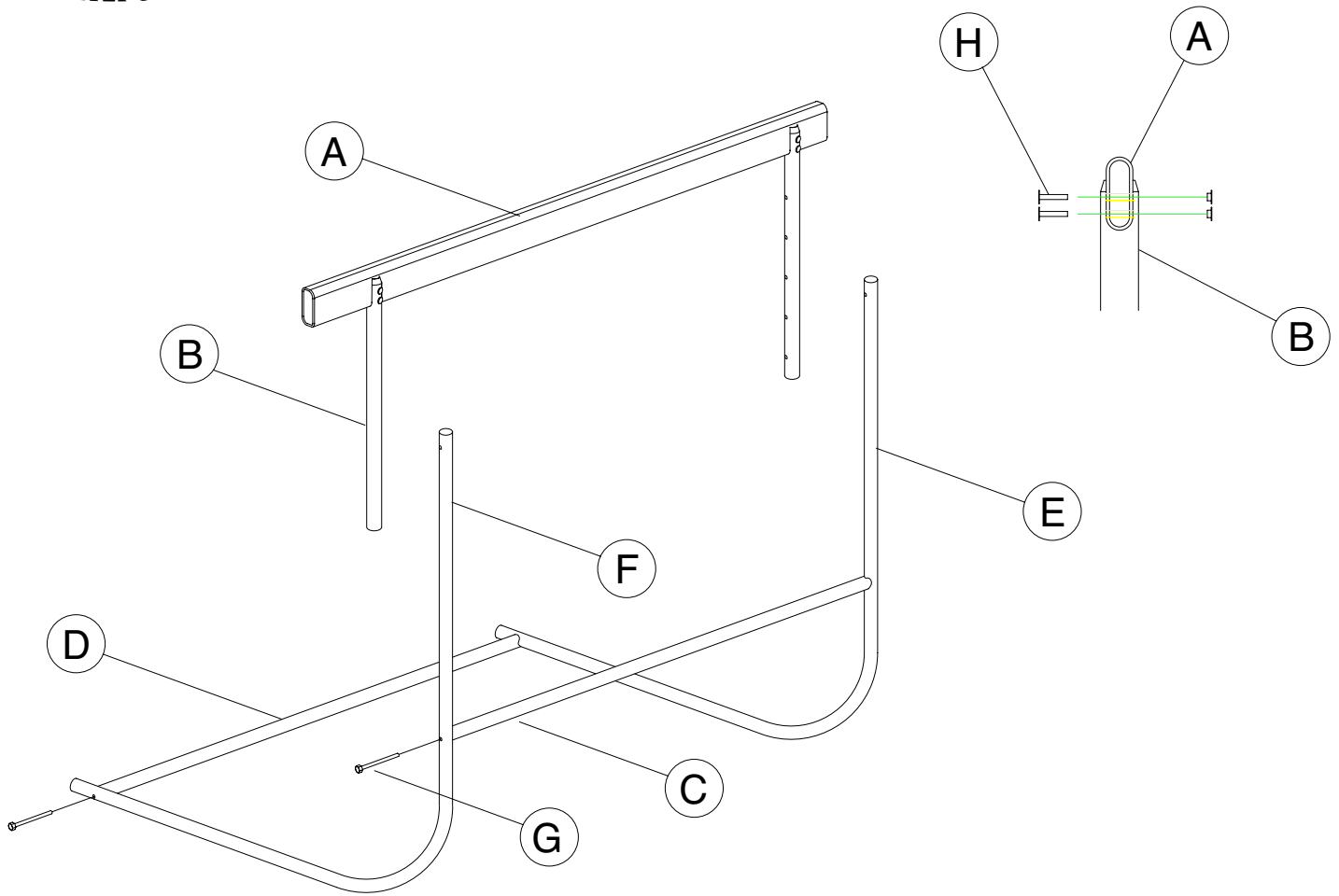




COMPETITION HURDLE #AAUSA__



ITEM	PART	QTY	PART No.
A	Hurdle Gate	1 ea	ZN37080146
B	Riser	2 ea	
C	Cross Bar	1 ea	ZN37280155
D	Cross Bar - Weighted	1 ea	ZN37280156
E	Hurdle Base- Left	1 ea	ZN37380156
F	Hurdle Base - Right	1 ea	ZN37380155
G	Hex Bolt 1/4" x 1"	4 ea	} ZN69508010
H	M/F Screw Assembly	4 ea	

NOTE: To provide for a longer life for these Hurdles, oil Risers prior to each season.

AAUSA__ 02/02

PORT & PIT

