



**AMERICAN SPECIALTIES, INC.**

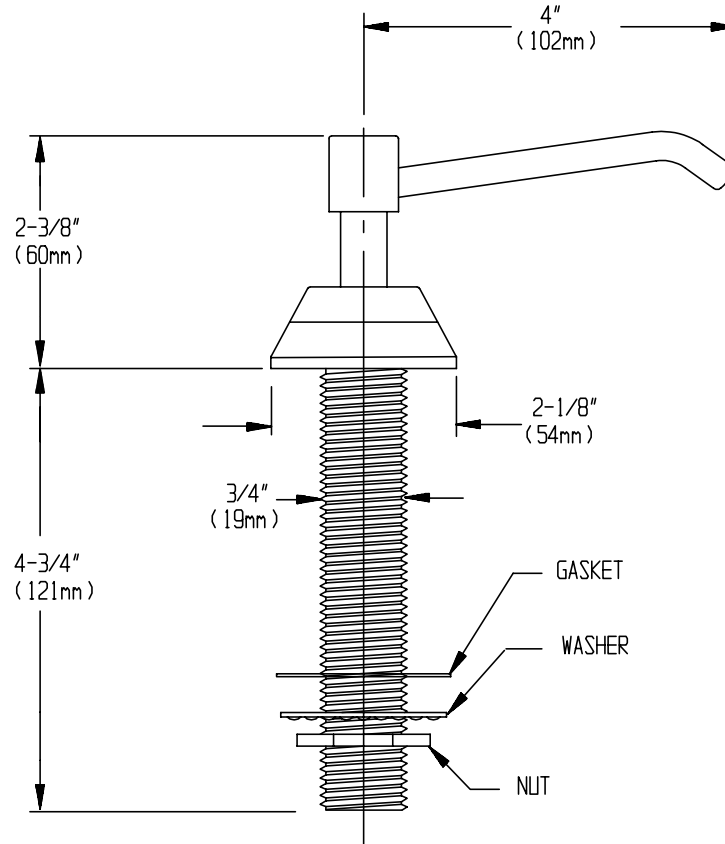
441 Saw Mill River Road, Yonkers, NY 10701 (914) 476-9000

MODEL No: 0375

ISSUED: 1-87

REVISED: 8-04

**LAV-MOUNTED LIQUID SOAP VALVE**



**SPECIFICATION**

Lav- Mounted Liquid Soap Valve shall be fabricated of chrome plated brass with stainless steel and rubber internal parts. Unit shall contain flow regulating check valves. Valve shall dispense liquid soaps of low to medium viscosity having coconut oil base (10-20% concentration). Valve operation shall comply with ADA Accessibility Guidelines by requiring no more than 5 lbs<sub>f</sub> (22.2 Newtons) pressure to actuate and require no grasping or twisting by operator.

**Lav-Mounted Liquid Soap Valve shall be Model N° 0375 as fabricated by American Specialties, Inc. 441 Saw Mill River Road Yonkers, New York 10701-4913**

**INSTALLATION**

Unit is typically used in conjunction with gravity feed systems (Models 0376/77/78) and is located adjacent to a flush mounted lavatory, through a 1" Dia. (25.4mm) cut-out (by others) in the counter top. An adjustable threaded shank allows for installation in counter-tops up to 4" (102mm) in thickness. Longer spout (6") is available - see options.

**OPERATION**

Soap is manually dispensed by depressing push button. Soap supply is from central supply system and should be limited to 30 ft head pressure max.

**OPTIONS**

(indicate option with check mark ✓)

6" long spout	<input type="checkbox"/>
---------------	--------------------------

Accessory Specialties

AMERICAN DISPENSER

Desert Ray Products

**WATROUS** .INC.