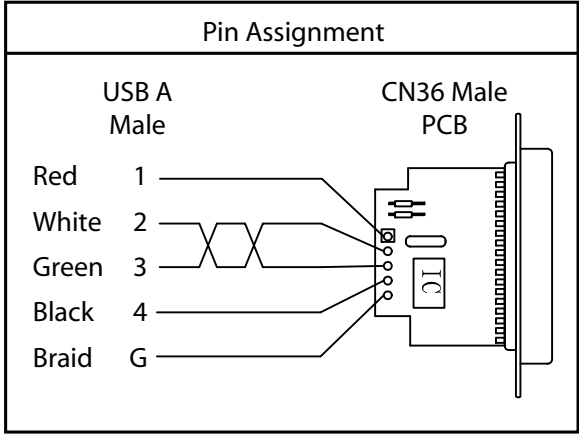
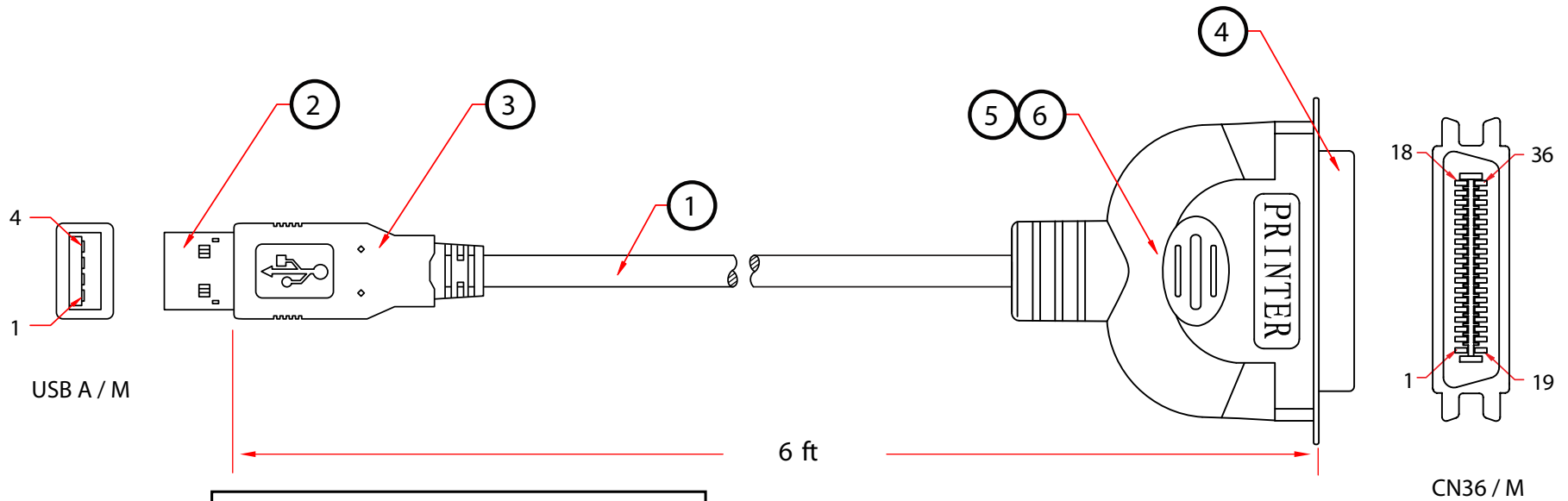


REV.	DESCRIPTION	DATE
A		
B		03-2009



NO.	SPECIFICATIONS
6	PCB
5	CN36 Molded LDPE and Transparent Black Overmolded PVC
4	CN36 Male, Contact: Gold Flash. Shell: Nickel Plated
3	USB A Transparent Black Molded PVC
2	USB A Male, Contact: Gold Flash. Shell: Nickel Plated
1	USB 2.0 Cable UL2725 28AWG*1P (Green & White) + 24AWG*2C (Black & Red) + AL-Mylar + Copper Braid Shield, Transparent Outer PVC Jacket, OD: 4.7 mm
BOM LIST	

ITEM NUMBER	10U1-03106		DRAWER	LIBRA
TITLE	USB Type A Male / Centronics 36 (CN36) Male (USB to Printer), 6 ft		CHECKED	
MATERIAL	SCALE		APPROVED	
REV.	A	UNIT	INCH	
DRAWING NO:			 888-212-8295.com CableWholesale.com	