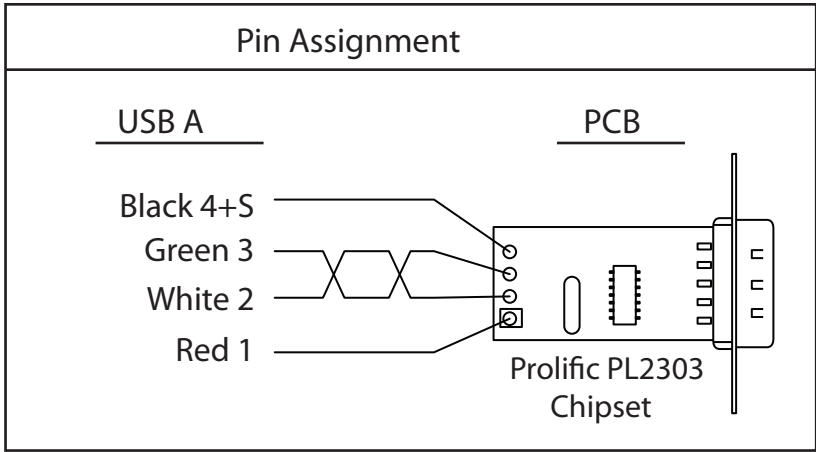
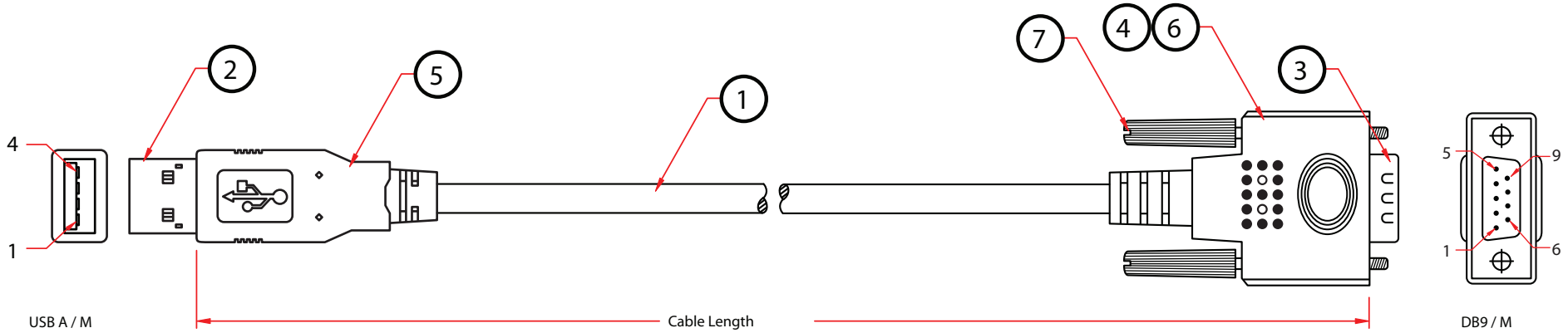


REV.	DESCRIPTION	DATE
A		
B		02-2008



PART NO.	CABLE LENGTH
10U1-06101	1 ft
10U1-06103	3 ft

7	4-40 Molded Thumb Screw
6	Molded PVC Hood, Fully Shielded w/AL-Foil, 65P Transparent Black (B8Z) PVC
5	USB A Male, 45P Transparent Black (B8Z) PVC
4	PN: PL2303
3	DB9 Male W/Gold Plating Contacts
2	RJ45 Plug, w/50u Gold Plating Contacts
1	UL2725, 1 Pair (28AWG/7*0.12) + 2C (26AWG/7*0.20) + AL+Braid, OD: 4.7+/-0.15mm
NO.	SPECIFICATIONS

ITEM NUMBER	10U1-061xx	DRAWER	MPD
TITLE	USB A Male to DB9 Male, Adaptor Cable	CHECKED	MAC
MATERIAL		APPROVED	MAC
REV.	A		
DRAWING NO:			

NO.	SPECIFICATIONS
	BOM LIST

