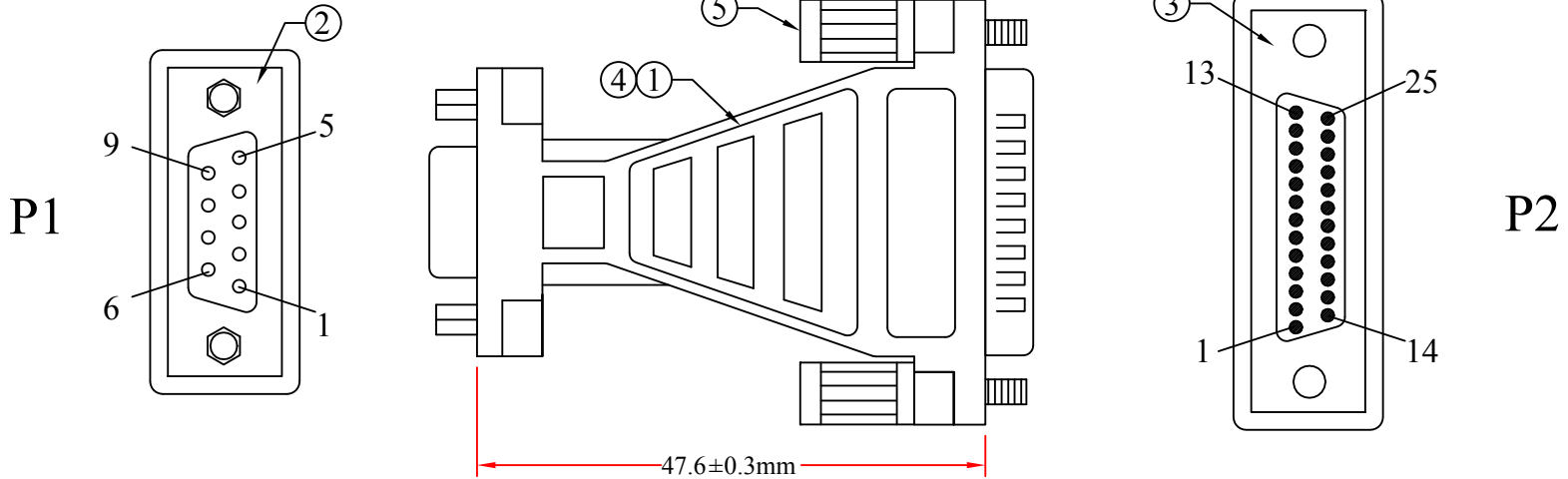


RoHS

| REV. | DESCRIPTION | DATE |
|------|-------------|---------|
| A | | 03-2012 |
| | | |



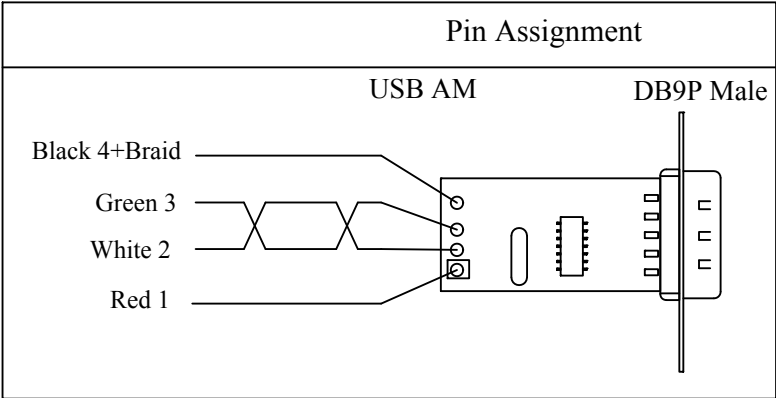
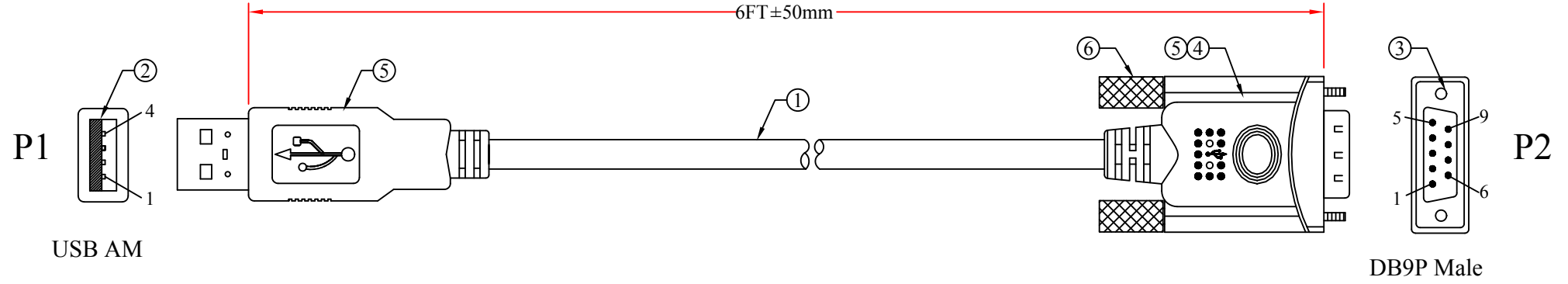
| Pin Assignment | | |
|----------------|-------|----|
| P1 | | P2 |
| 1 | _____ | 8 |
| 2 | _____ | 3 |
| 3 | _____ | 2 |
| 4 | _____ | 20 |
| 5 | _____ | 7 |
| 6 | _____ | 6 |
| 7 | _____ | 4 |
| 8 | _____ | 5 |
| 9 | _____ | 22 |
| S | _____ | S |

| | |
|----------|---|
| 5 | Screw TS4*22.5 Transparence Blue Molded PVC Hood |
| 4 | Transparence Blue Molded PVC Hood |
| 3 | DB 25P Male , Insulation Blue ,Shell Nickel Plated |
| 2 | DB 9P Female With Nut, Insulation Blue ,Nickel Plated |
| 1 | 28AWG Wire |
| NO. | SPECIFICATIONS |
| BOM LIST | |

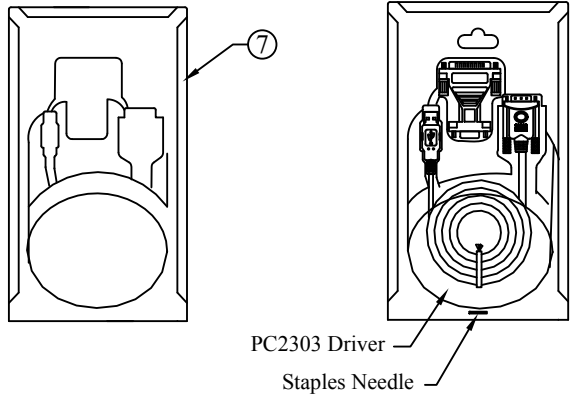
| | | | | | |
|-------------|--|-------|------|----------------------|----|
| ITEM NUMBER | 10U1-16106 | | | DRAWER | JL |
| TITLE | High Quality Digital Coaxial RCA Cable RCA Male to RCA Male | | | CHECKED | |
| MATERIAL | | SCALE | | APPROVED | |
| REV. | A | UNIT | INCH | | |
| DRAWING NO: | | | | 888-212-8295.com | |
| | | | | | |

RoHS

| REV. | DESCRIPTION | DATE |
|------|-------------|---------|
| A | | 03-2012 |
| | | |



Packing:



| | |
|----------|--|
| 7 | Blister +Card |
| 6 | Screw #4-40 |
| 5 | Transparence Blue Molded PVC Hood |
| 4 | PCB PN:PL2303 |
| 3 | DB 9P Male, Insulation Blue ,Shell Nickel Plated |
| 2 | USB A Type Male ,Shell Nickel Plated |
| 1 | UL2725 28AWG*1P+24AWG*2C+AL+80B(AM) OD:4.7mm,Transparence PVC Jacket |
| NO. | SPECIFICATIONS |
| BOM LIST | |

| | | | | | |
|-------------|--|-------|------|---|----|
| ITEM NUMBER | 10U1-16106 | | | DRAWER | JL |
| TITLE | High Quality Digital Coaxial RCA Cable RCA Male to RCA Male | | | CHECKED | |
| MATERIAL | | SCALE | | APPROVED | |
| REV. | A | UNIT | INCH | | |
| DRAWING NO: | | | | 888-212-8295.com CableWholesale.com | |