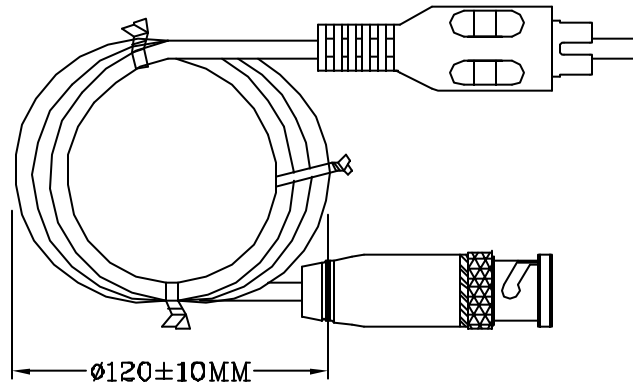
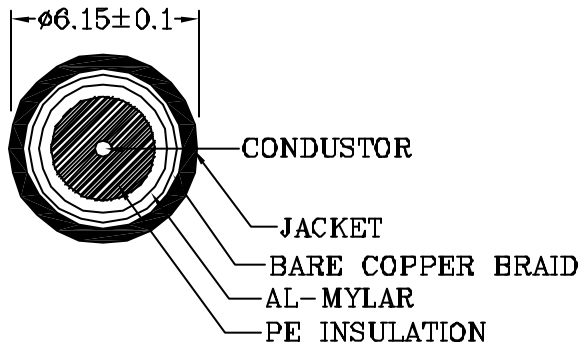
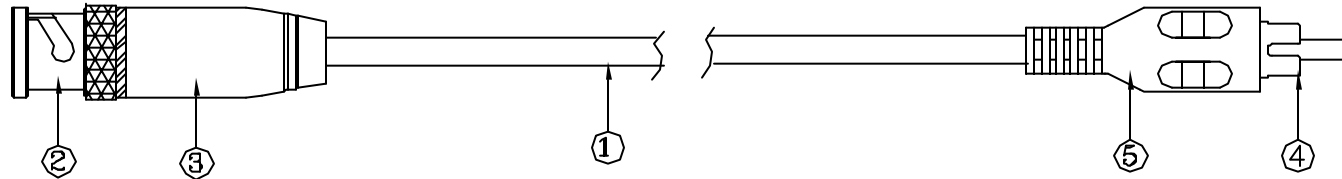


POSITION	REV.	DESCRIPTION	DATE
	B		
	C		

BNC PLUG

RCA PLUG



CABLE SECTION

PART NO.	CABLE LENGTH
11X1-02106	3 ft
11X1-02112	6 ft
11X1-02125	12 ft

5	BLACK MOLDED PVC HOOD
4	RCA MALE, NICKEL PLATED
3	BLACK MOLDED PVC HOOD
2	BNC MALE (RG59), NICKEL PLATED
1	RG59U CABLE, 75 OHM+AL-MYLAR, 95% BRAID BLACK OUTER PVC JACKET
NO.	SPECIFICATIONS

BOM LIST

ITEM NUMBER	11X1-021xx	DRAWER	MPD
TITLE	RG59 BNC Male / RCA Male Coax Cable	CHECKED	MAC
MATERIAL		APPROVED	MAC
REV.	A	SCALE	
DRAWING NO:		UNIT	INCH