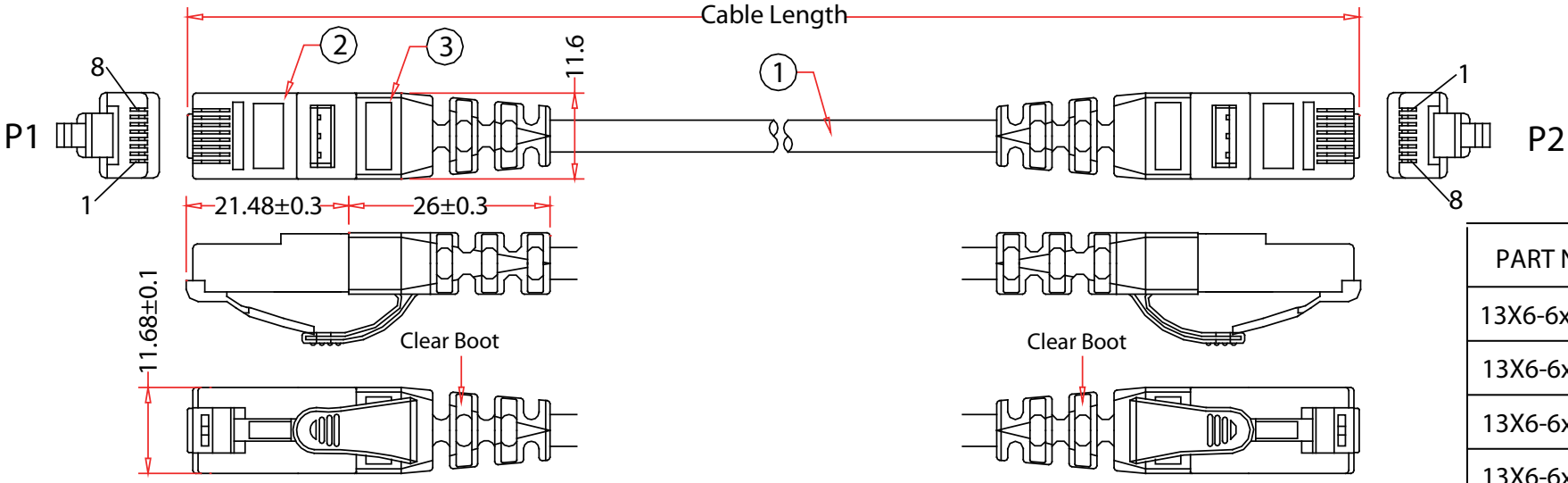


Rev.	Description	Date
A		12-2021



PART NO.	CABLE LENGTH
13X6-6xx00.5	6 inch
13X6-6xx01	1 FT
13X6-6xx02	2 FT
13X6-6xx03	3 FT
13X6-6xx04	4 FT
13X6-6xx05	5 FT
13X6-6xx06	6 FT
13X6-6xx07	7 FT
13X6-6xx10	10 FT
13X6-6xx14	14 FT
13X6-6xx15	15 FT
13X6-6xx20	20 FT

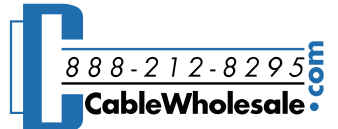
Pin Assignment		
P1		P2
1	Orange	1
2	White/Orange	2
3	Green	3
6	White/Green	6
4	White/Blue	4
5	Blue	5
7	Brown	7
8	White/Brown	8

Color Options
21 Gray
22 Black
31 Orange
41 Purple
51 Green
61 Blue
71 Red
72 Pink
81 Yellow
91 White

RoHS

**NOTES:**

- 1.Electrical Test:  
 (1)100% Open Short & Miswire Test.  
 (2) Insulation Resistance 1 MΩ MIN.

Item Number:	13X6-6xxxx	
Title:	Cat6a Slim Ethernet Patch Cable,Pure Copper, Clear Boot	
Drawn by:	JL	
Approved by:	MAC	
ID:	56	

No.	Specifications
3	Strain Relief: Boot assembly type, OD:4.6mm, Transparent Color PVC
2	RJ45 8P8C Plug, Body 94V-2, Pin: Phosphor Bronze 50u" Gold Plated
1	CAT6A UTP,28AWG BC x4P, Stranded ,ETL Verified, UL/CSA approved, OD:3.8±0.2mm