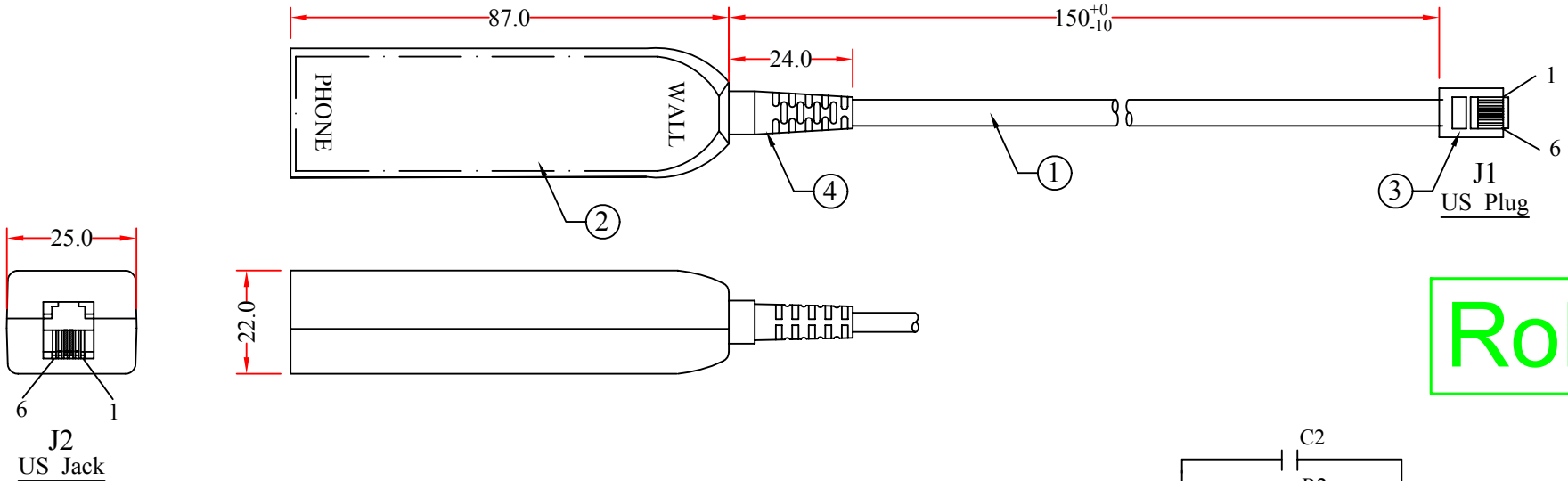
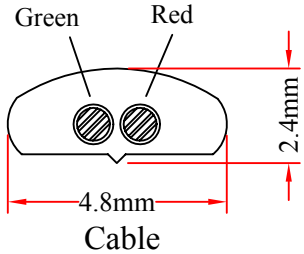
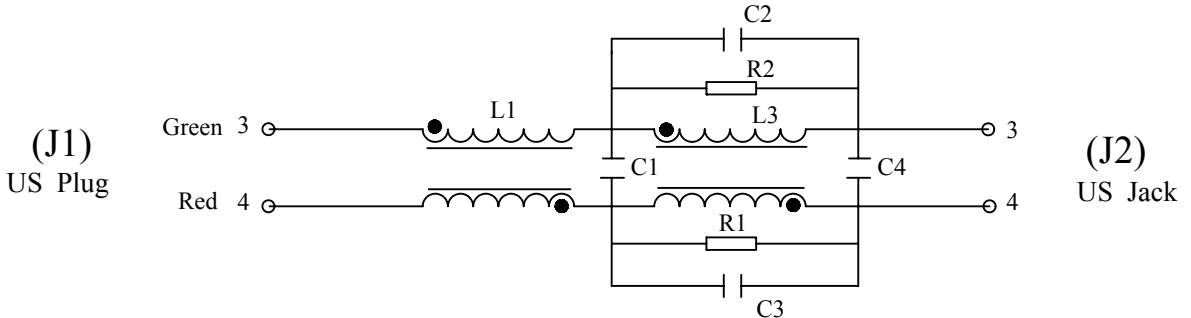


REV.	DESCRIPTION	DATE
A		07-2013



RoHS



NOTES:
 1. Electrical Test:
 (1) 100% Open Short & Miswire Test.

4	SR Ivory Molded PVC
3	6P2C Plug, Pin 3u"
2	6P2C Jack, Pin 3u", With PCB(UL 94V-0), Ivory ABS Cover
1	Cable 28AWG(7/0.12)*2C, OD:2.4*4.8mm, Ivory PVC Outer Jacket
NO.	SPECIFICATIONS
	BOM LIST

ITEM NUMBER	300-10200			DRAWER	JL
TITLE	1 Port Single Line ADSL Filter			CHECKED	
				APPROVED	
MATERIAL		SCALE			
REV.	A	UNIT	MM		
DRAWING NO:					