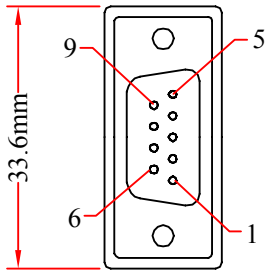
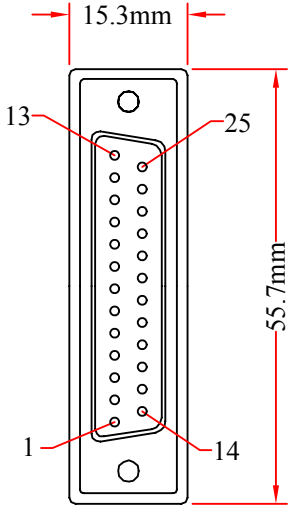
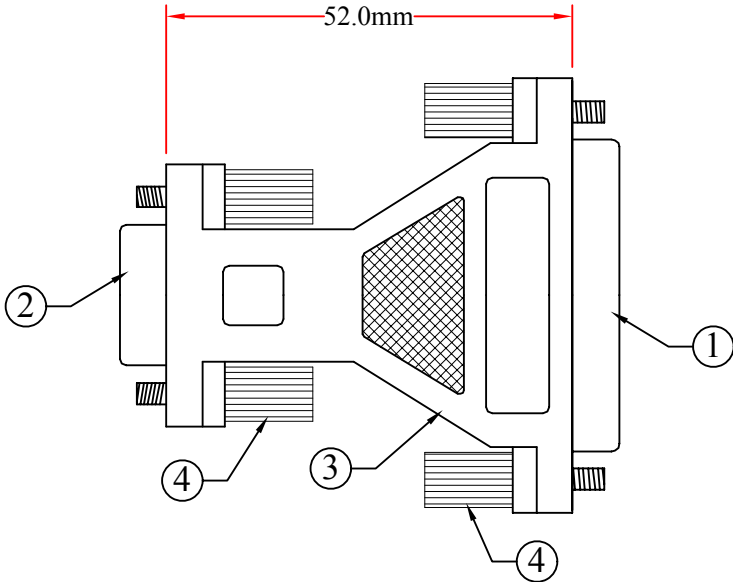


# RoHS

REV.	DESCRIPTION	DATE
A		07-2013



DB9P/F



DB25P/F

Pin Assignment		
DB9P/F		DB25P/F
1	_____	8
2	_____	3
3	_____	2
4	_____	20
5	_____	7
6	_____	6
7	_____	4
8	_____	5
9	_____	22
Shell	_____	Shell

ITEM NUMBER	30D1-05400			DRAWER	JL
TITLE	Serial / AT Modem Adapter, DB9 Female to DB25 Female			CHECKED	
MATERIAL		SCALE		APPROVED	
REV.	A	UNIT	INCH		
DRAWING NO:				 888-212-8295.com	

4	#4-40 Molded Thumbscrew, Color Beige
3	Beige Molded PVC Hood
2	DB9P Female ,Flash On Contacts, Insulation Blue
1	DB25P Female ,Flash On Contacts, Insulation Blue
NO.	SPECIFICATIONS
BOM LIST	