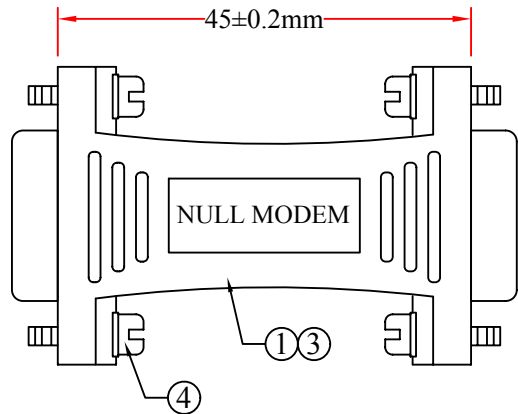
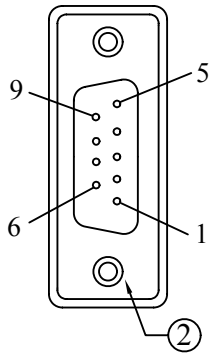


REV.	DESCRIPTION	DATE
A		12-2012

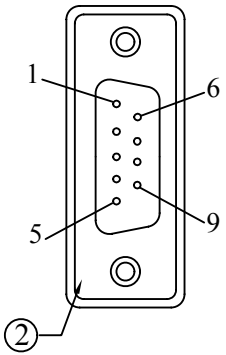
RoHS

Pin Assignment	
P1	P2
2	3
3	2
4	6
5	5
1	4
6	8
7	8
8	7
Shell	Shell

P1



P2



ITEM NUMBER	30D1-18400	DRAWER	JL
TITLE	Null Modem Adapter, DB9 Female to DB9 Female	CHECKED	
		APPROVED	
MATERIAL	SCALE		
REV. A	UNIT		INCH
DRAWING NO:			

4	Ø4 x12.5 mm Screw+Gasket
3	Beige Molded PVC
2	DB9 Pin Female ,Contact:Gold Plated, Shell: Nickel Plated, Insulation Blue
1	NON-UL 28AWG Wire
NO.	SPECIFICATIONS
	BOM LIST