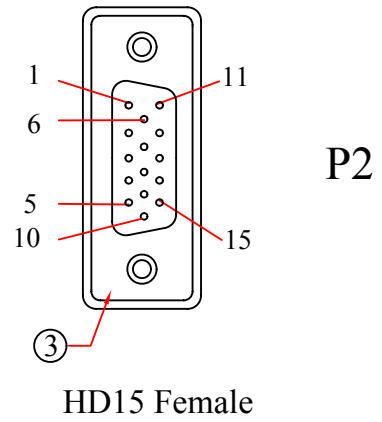
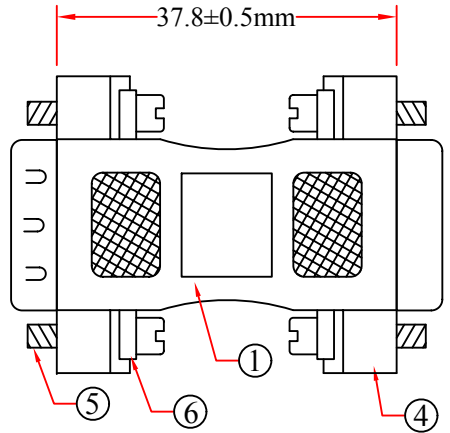
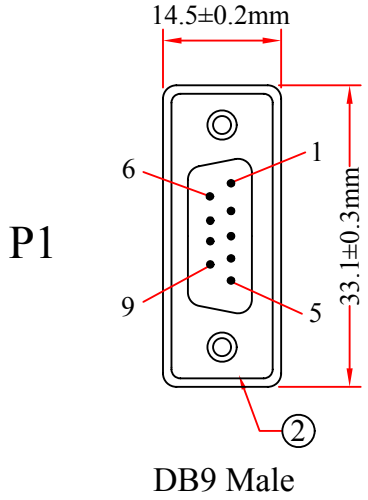


# RoHS

REV.	DESCRIPTION	DATE
A		02-2015

Pin Assignment	
P1	P2
1	1
2	2
3	3
4	13
5	14
6	6
7	7
8	8
9	10
	11
Shell	Shell



NO.	SPECIFICATIONS	BOM LIST
6	Washer	
5	#4-40 Screw ,Ø4*12.5mm	
4	Beige Molded PVC	
3	HD 15Pin Female ,Contact:Gold Plated, Shell: Nickel Plated, Insulation Blue	
2	DB 9Pin Male ,Contact:Gold Plated, Shell: Nickel Plated, Insulation Blue	
1	UL1061 26AWG Wire	

ITEM NUMBER	30D1-19200			DRAWER	JL
TITLE	VGA Adapter, DB9 Male to HD15 Female			CHECKED	
MATERIAL		SCALE		APPROVED	
REV.	A	UNIT	MM		
DRAWING NO:				 888-212-8295.com	
ID(NO.)	1				