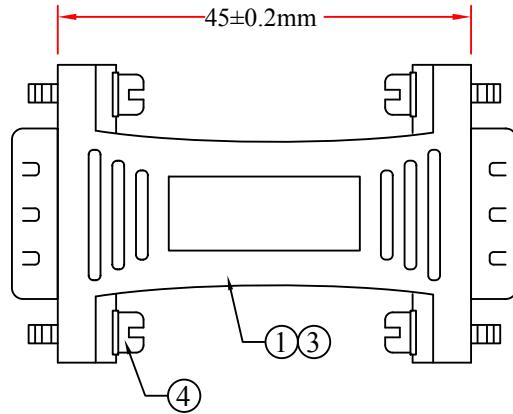
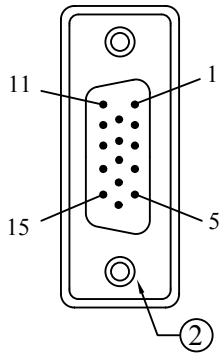


REV.	DESCRIPTION	DATE
A		05-2012

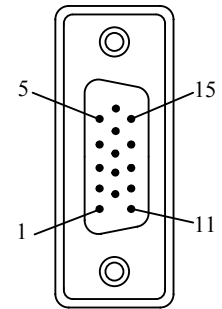
RoHS

Pin Assignment		
P1		P2
1	—————	1
2	—————	2
3	—————	3
4	—————	4
5	—————	5
6	—————	6
7	—————	7
8	—————	8
9	—————	9
10	—————	10
11	—————	11
12	—————	12
13	—————	13
14	—————	14
15	—————	15
Shell	—————	Shell

P1



P2



ITEM NUMBER	30H1-06100			DRAWER	JL
TITLE	HD15P (VGA) Male / HD15P (VGA) Male Adaptor			CHECKED	
				APPROVED	
MATERIAL		SCALE			
REV.	A	UNIT	INCH		
DRAWING NO:					

4	SCREW+Gasket
3	Beige Molded PVC
2	HD15Pin Male ,Contact:Gold Plated, Shell: Nickel Plated, Insulation Blue
1	NON-UL 28AWG Wire
NO.	SPECIFICATIONS
BOM LIST	