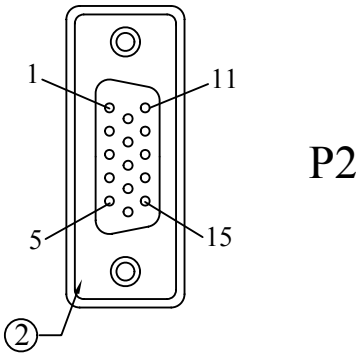
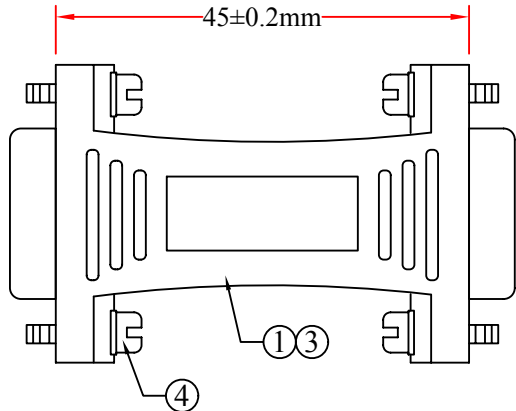
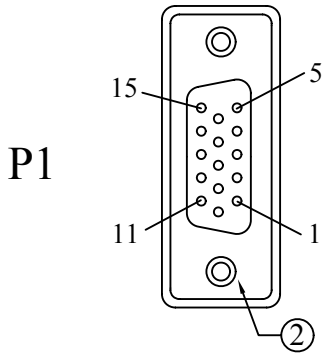


| REV. | DESCRIPTION | DATE |
|------|-------------|---------|
| A | | 12-2012 |
| | | |

RoHS

| Pin Assignment | | |
|----------------|-------|-------|
| P1 | | P2 |
| 1 | _____ | 1 |
| 2 | _____ | 2 |
| 3 | _____ | 3 |
| 4 | _____ | 4 |
| 5 | _____ | 5 |
| 6 | _____ | 6 |
| 7 | _____ | 7 |
| 8 | _____ | 8 |
| 9 | _____ | 9 |
| 10 | _____ | 10 |
| 11 | _____ | 11 |
| 12 | _____ | 12 |
| 13 | _____ | 13 |
| 14 | _____ | 14 |
| 15 | _____ | 15 |
| Shell | _____ | Shell |



| NO. | SPECIFICATIONS |
|----------|---|
| 4 | Ø4 x12.5 mm Screw+Gasket |
| 3 | Beige Molded PVC |
| 2 | DB15 Pin Female ,Contact:Gold Plated, Shell: Nickel Plated, Insulation Blue |
| 1 | NON-UL 28AWG Wire |
| BOM LIST | |

| | | | |
|-------------|---|----------|------|
| ITEM NUMBER | 30H1-06400 | DRAWER | JL |
| TITLE | VGA Coupler / Gender Changer, HD15 Female to HD15 Female | CHECKED | |
| MATERIAL | SCALE | APPROVED | |
| REV. | A | UNIT | INCH |
| DRAWING NO: | | | |
| | | | |