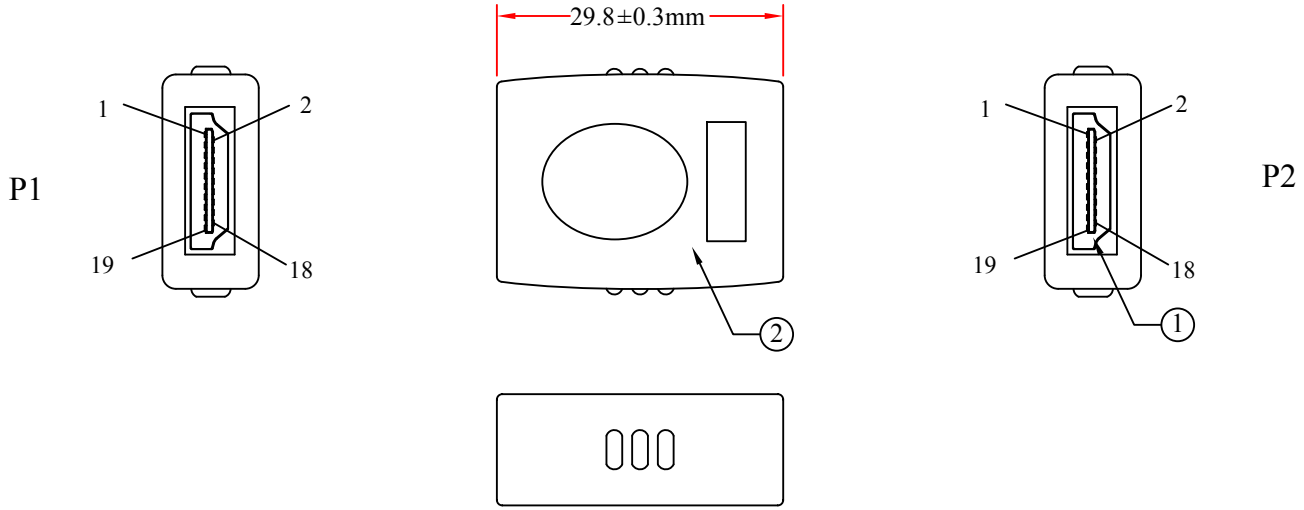


RoHS

REV.	DESCRIPTION	DATE
A		08-2012

Pin Assignment		
P1		P2
1	_____	1
2	_____	2
3	_____	3
4	_____	4
5	_____	5
6	_____	6
7	_____	7
8	_____	8
9	_____	9
10	_____	10
11	_____	11
12	_____	12
13	_____	13
14	_____	14
15	_____	15
16	_____	16
17	_____	17
18	_____	18
19	_____	19
Shell	_____	Shell



NOTES:
 1. Electrical Test:
 (1) 100% Open Short & Miswire Test.
 (2) Insulation Resistance 1 MΩ MIN.

ITEM NUMBER	30HH-00400			DRAWER	JL
TITLE	HDMI Female to HDMI Female Adaptor			CHECKED	
				APPROVED	
MATERIAL		SCALE			
REV.	A	UNIT	INCH		
DRAWING NO:					

4	
3	
2	Black Molded PVC
1	HDMI 19P Female, Insulation Black, Shell: Gold Plated
NO.	SPECIFICATIONS
BOM LIST	