

REV.	DESCRIPTION	DATE
A		03-2013

RoHS

**Notes:**

**Insulation**

Material: PBT Thermoplastic  
 Flammability: UL 94V-0  
 Color: Black

**Contact**

Material: Copper Alloy

**Plating**

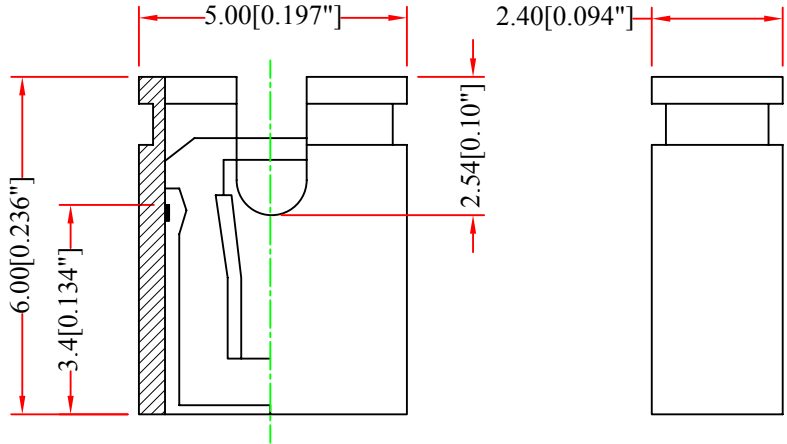
Underplating: 1.25-2.5  $\mu\text{m}$  [50-100  $\mu\text{m}$ ] Nickel  
 Wiping Area: 0.1  $\mu\text{m}$  [4  $\mu\text{m}$ ] Gold

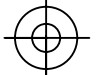
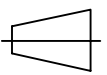
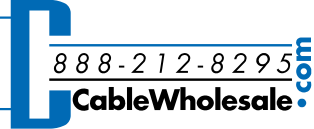
**Electrical**

Current Rating: 2 A  
 Insulation Resistance:  $> 5 \times 10^8$  Ohm at 100V DC  
 Withstanding Voltage: 1000V DC

**Environmental**

Temperature Range: -25 °C to +105 °C



ITEM NUMBER	30J1-00100			DRAWER	JL
TITLE	Computer Jumper For Hard Drive, CD/DVD Drive, Motherboard and/or Expansion Card Jumper blocks, 100 Piece, 2.54mm			CHECKED	
				APPROVED	
MATERIAL		SCALE		 	
REV.	A	UNIT	MM		
DRAWING NO:					

NO.	SPECIFICATIONS
	BOM LIST