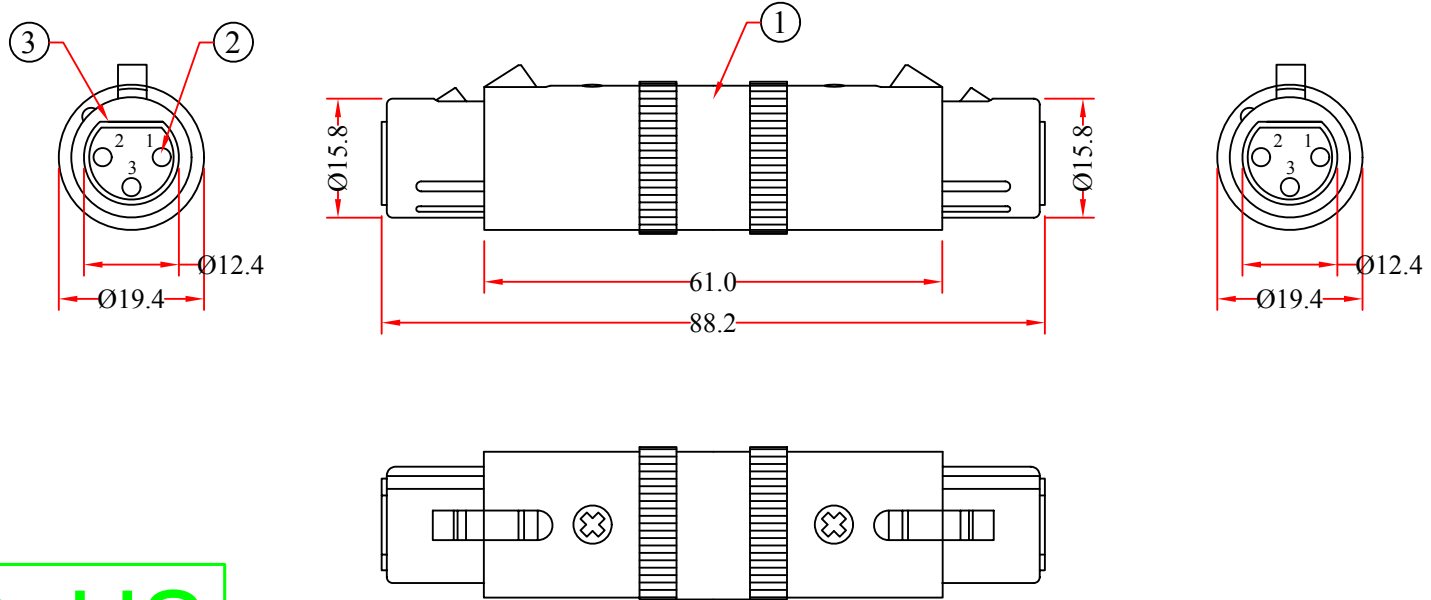


REV.	DESCRIPTION	DATE
A		03-2013



RoHS

NO.	SPECIFICATIONS
3	Insulator, Plastic / Grey
2	Contact, Brass/ Gold Plated
1	Body, Brass /Nickel Plated
BOM LIST	

ITEM NUMBER	30MC-03400			DRAWER	JL
TITLE	XLR Coupler / Gender Changer, Metal, XLR Female			CHECKED	
MATERIAL		SCALE		APPROVED	
REV.	A	UNIT	MM		
DRAWING NO:					