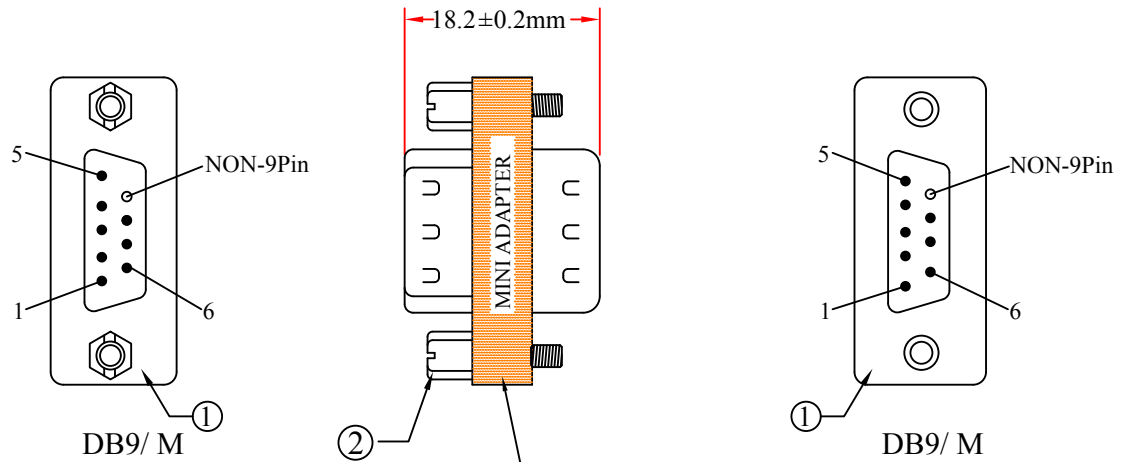


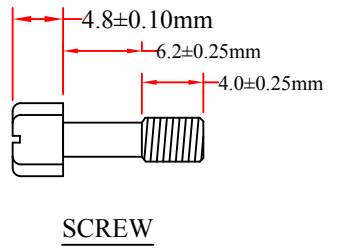
RoHS

REV.	DESCRIPTION	DATE
A		05-2012

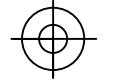
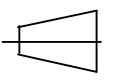
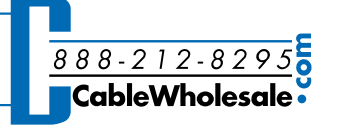


Orange Label Marking: NULL MODEM
 Tother Border Marking: MINI ADAPTER

Pin Assignment	
DB9/ M	DB9/ M
2	3
3	2
4	1+6
5	5
1+6	4
7	8
8	7
Shell	Shell



SCREW

ITEM NUMBER	31D1-28100		DRAWER	JL
TITLE	Mini Null Modem DB9 Male / DB9 Male, Adaptor		CHECKED	
MATERIAL	SCALE		APPROVED	
REV.	A	UNIT	INCH	 
DRAWING NO:				

3	
2	UNC #4-40 Screw
1	DB9P Male ,Shell: Nickel Plated, Insulation Black
NO.	SPECIFICATIONS
	BOM LIST