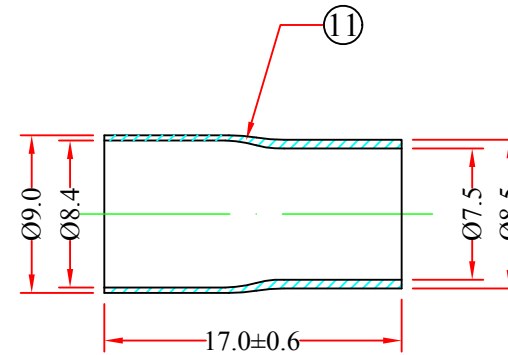
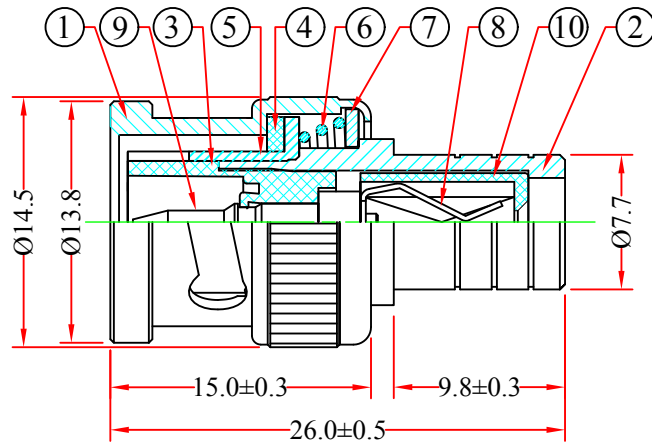
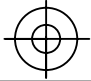
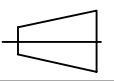


REV.	DESCRIPTION	DATE
A		02-2013



RoHS

11	Ferrule, Brass / Nickel Plated
10	Insulator, POM / Natural
9	Center Contact, P-Bronze / Gold Plated
8	Contact Pin, Bronze / Gold Plated
7	Washer, Zinc/ Nickel Plated
6	Spring 65Mn
5	Out Contact, Zinc / Nickel Plated
4	Gasket, PVC / Red
3	Insulator, POM / Natural
2	Body, Zinc / Nickel Plated
1	Shell, Zinc / Nickel Plated
NO.	SPECIFICATIONS
	BOM LIST

ITEM NUMBER	31X3-01420			DRAWER	JL
TITLE	RG6 BNC Male Crimp On Connector, 2 Piece Set			CHECKED	
				APPROVED	
MATERIAL		SCALE		 	
REV.	A	UNIT	MM		
DRAWING NO:				