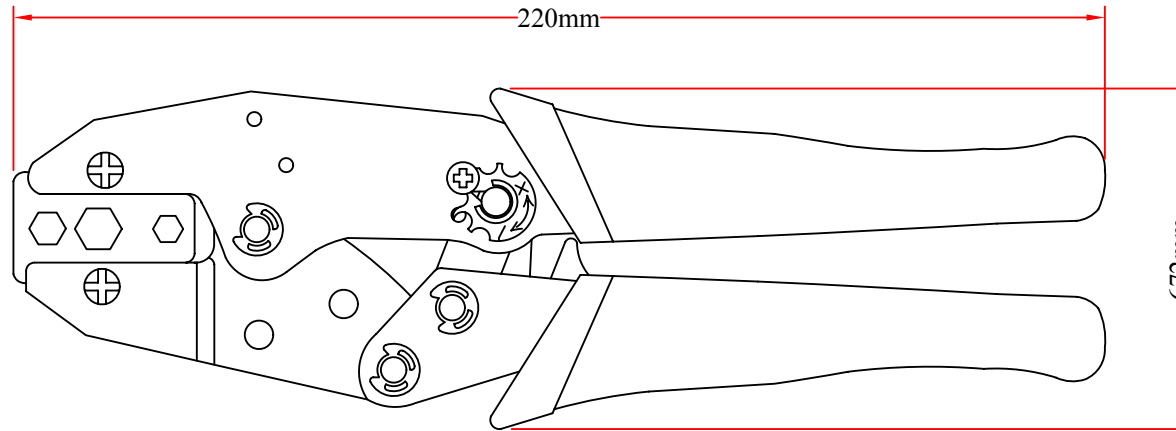
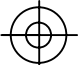
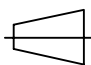
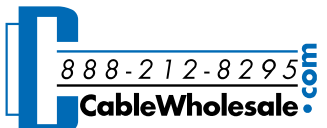


RoHS

REV.	DESCRIPTION	DATE
A		11-2012



4		ITEM NUMBER	91D5-05500		DRAWER	JL
3		TITLE	Crimp Tool for Coaxial Cable, F-pin and BNC (RG58, RG59 and RG6)		CHECKED	
2		MATERIAL		SCALE	APPROVED	
1	F-pin and BNC (RG58, RG59 and RG6)Crimp Tool, Red	REV.	A	UNIT	MM	 
NO.	SPECIFICATIONS	DRAWING NO:			 888-212-8295.com <b>CableWholesale.com</b>	
	BOM LIST					