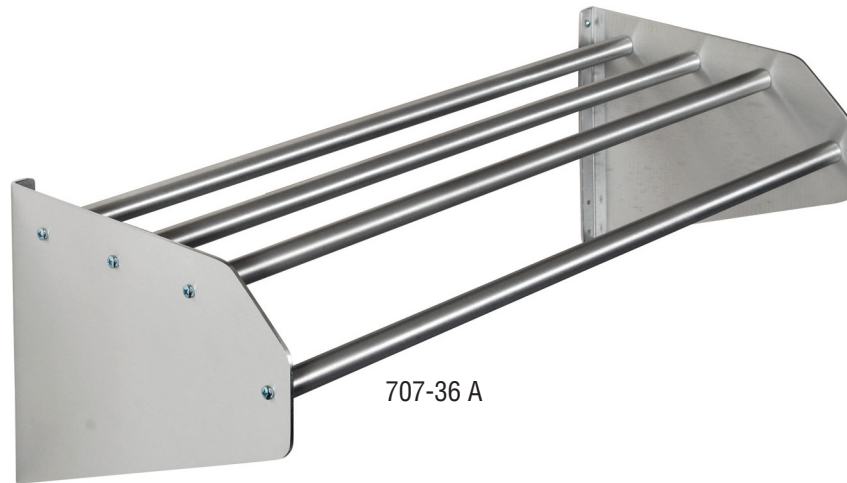
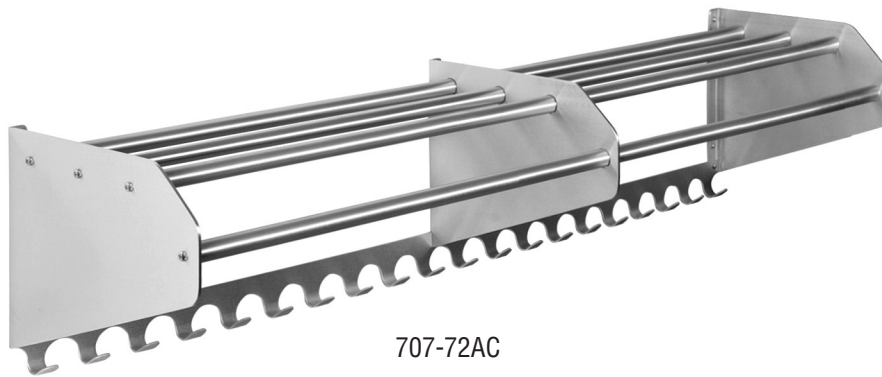


ALUMINUM WALL MOUNTED RACKS

707-A, 707-AC



707-36 A



707-72AC

Professional strength coat and hat racks are wall mounted to save floor space and attractive enough to be used outside the closet walls.

Features and Benefits

- Satin finish all aluminum construction is durable, light weight and corrosion resistant
- Top shelf allows for air flow to help prevent the formation of mites or molds frequently found in enclosed areas
- 60-72" models include additional center bracket for increased support
- Optional wall hook strip adds additional hanging space (add "C" to the end of part number)
- Easy to assemble and includes mounting hardware
- Available in 36", 48", 60", and 72" lengths



707-36A	
707-36AC	
36"	Length
15"	Width
11.75"	Height
9-10	Weight (lbs)
Carton - 37" x 14" x 3"	

707-48A	
707-48AC	
48"	Length
15"	Width
11.75"	Height
10-11	Weight (lbs)
Carton - 49" x 14" x 3"	

707-60A	
707-60AC	
61"	Length
15"	Width
11.75"	Height
14-15	Weight (lbs)
Carton - 61" x 14" x 3"	

707-72A	
707-72AC	
72"	Length
15"	Width
11.75"	Height
15-16	Weight (lbs)
Carton - 73" x 14" x 3"	