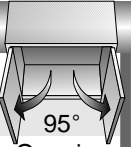


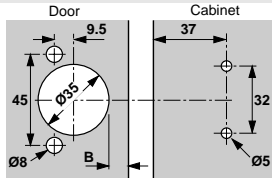
blum 95° Clip Top Thick Door Hinges

Lifetime
Warranty

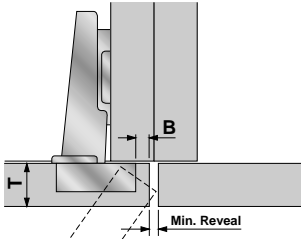
For Door Thickness up to 1 3/8"



Boring Pattern



Minimum Reveal



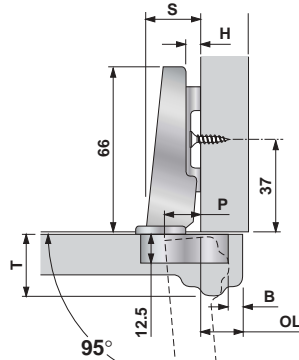
B	T	19	22	24	26	28	29	30
3	0.4	0.9	1.3	1.8	2.6	3.1	3.8	
4	0.4	0.9	1.3	1.8	2.4	2.8	3.3	
5	0.4	0.9	1.3	1.8	2.3	2.7	3.2	
6	0.4	0.9	1.2	1.7	2.2	2.6	3.1	
7	0.4	0.9	1.2	1.7	2.1	2.6	3.1	
8	0.4	0.9	1.2	1.7	2.1	2.6	3.1	

Table applies to all applications

Cross reference the door thickness (T) to the boring distance (B) on your application to find the minimum reveal

Overlay Applications

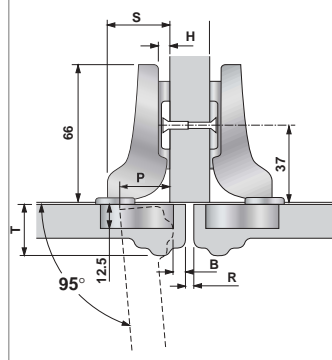
Straight Hinge



H Plate Ht.	B Bore Distance							Interior Clearance	
	3	4	5	6	7	8	P	S	
0	14	15	16	17	18	19	14.5	22	
3	11	12	13	14	15	16	17.5	25	
6	8	9	10	11	12	13	20.5	28	
9	5	6	7	8	9	10	23.5	31	

Fixed Distance (X) = 11

Half Cranked Hinge

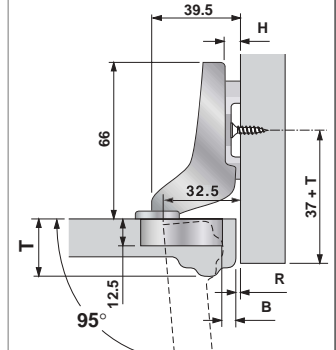


H Plate Ht.	B Bore Distance							Interior Clearance	
	3	4	5	6	7	8	P	S	
0	4.5	5.5	6.5	7.5	8.5	9.5	24	31	
3	1.5	2.5	3.5	4.5	5.5	6.5	27	34	
6			.5	1.5	2.5	3.5	30	37	

Fixed Distance (X) = 1.5

Inset Application

Full Cranked Hinge



H Plate Ht.	B Bore Distance						
	3	4	5	6	7	8	
0	4	3	2	1	0	-	

Fixed Distance (X) = -7

Reveal = H + (X + B)

R= Reveal
X= Fixed distance
B= Boring distance
H= Plate height

Overlay (OL) = Boring Distance (B) + Fixed Distance (X) - Plate Height (H)
OL = B + X - H

Swing Type Cup Mount

Swing Type	Cup Mount	Straight Hinge	Half Cranked Hinge	Full Cranked Hinge
Self-Closing	Press-in	B071T9580	B071T9680	B071T9780
	INSERTA	B071T9590	B071T9690	B071T9790
Free-swing	Press-in	B070T9580	Mounting plates sold separately see page C30 & C31	