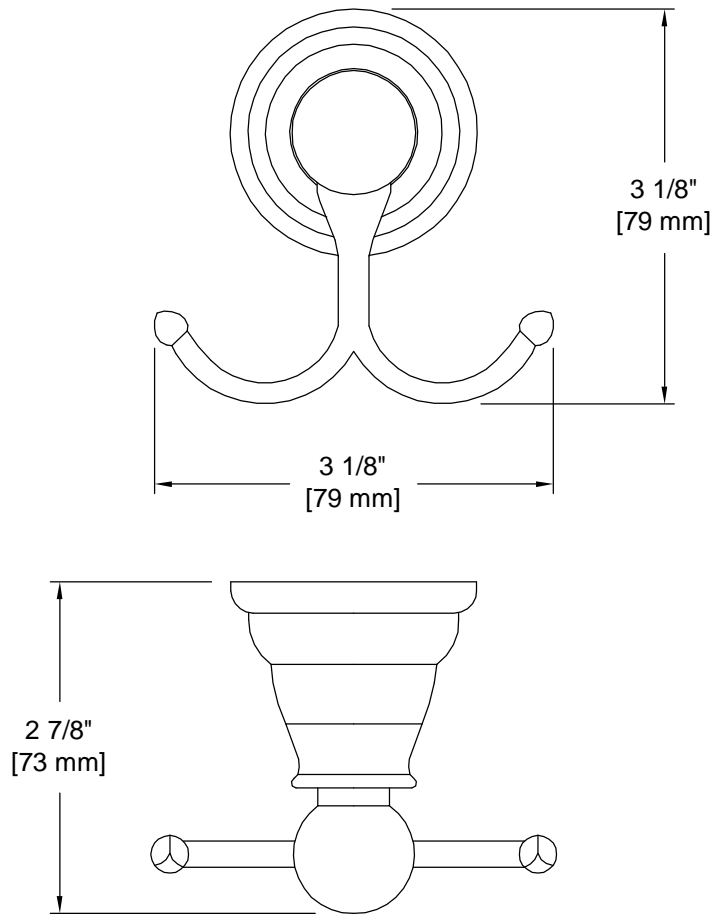


PRODUCT DATA SHEET

Product Description: Robe hook, Lexington. Fabricated from die cast zinc with a US15 satin nickel finish. Ships with mounting hardware.



Overall Size: 3 1/8" W X 3 1/8" H X 2 7/8" D

Material: Zinc

Finish: US15 Satin Nickel

Cross Reference

Manufacturer	Part Number



Description:

**Robe Hook,
Lexington**

Part Number:

15009

Date

08/16

Rev.

02

Sheet 1 of 1