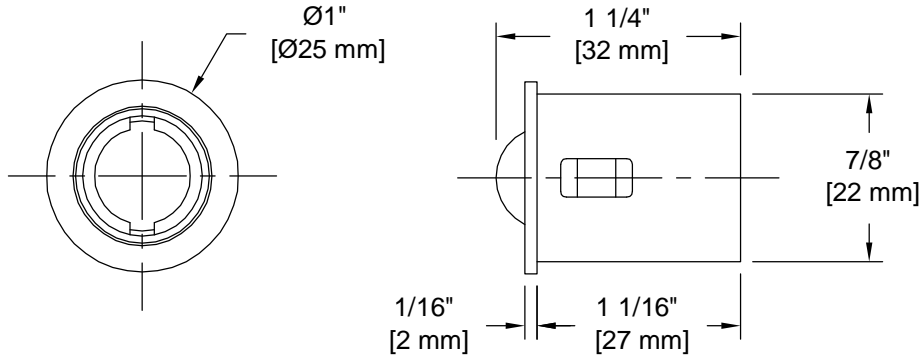


# PRODUCT DATA SHEET

**Product Description:** Ball catch body, drive in. Fabricated from steel with a US3 polished brass finish.



**Overall Size:** 1" W X 1" H X 1 1/4" D

**Material:** Steel

**Finish:** US3 Polished Brass

### Cross Reference

Manufacturer	Part Number



Description:

**Ball Catch Body,  
Drive In**

Part Number:

31224

Date

06/16

Rev.

05

Sheet 1 of 1