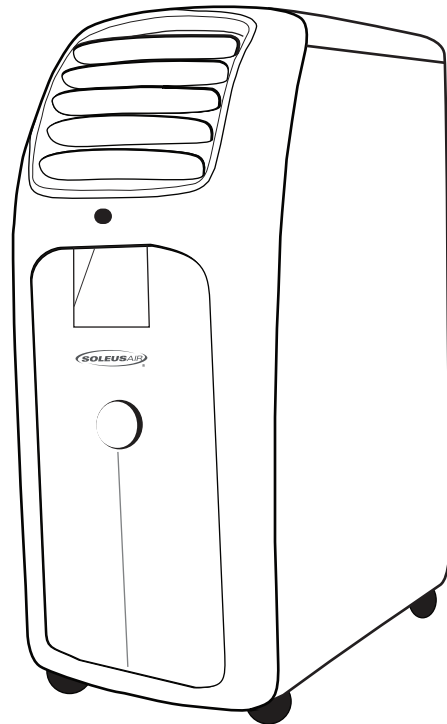




8,000/10,000/12,000 BTU
Portable Air Conditioner
Operating Instructions



Model No.:
PS08-01
PS10-01
Ref:
KY80
KY100

Model No.:
PS12-03
Ref:
KY120



Intertek
3119233

V160310

Thank you for choosing a Soleus Air Portable Air Conditioner. This owner's manual will provide you with valuable information necessary for the proper care and maintenance of your new product. Please take a few moments to thoroughly read the instructions and familiarize yourself with all the operational aspects of your new Soleus Air Portable Air Conditioner.

For your own records, please attach a copy of your sales receipt to this manual. Also, write the store name/location, date purchased, and serial number below:

Store Name: _____

Location: _____

Date Purchased: _____

Serial Number (located on back of unit): _____

IMPORTANT INSTRUCTIONS

Before installing and using your portable air conditioner, please read this owner's manual carefully. Store this manual in a safe place for future reference.

- 1) Always place the unit on a level surface.
- 2) Never use or store gasoline or other flammable vapor or liquid near this unit unless instructed by this manual.
- 3) Maintain at least 10 inches (25 cm) clearance space around this unit. Do not block or cover air inlet or outlet grilles.
- 4) The unit must be connected to a correctly grounded power supply.
- 5) Do not start or stop the unit by inserting or pulling out the power plug.
- 6) Do not use an adapter plug or extension cord.
- 7) Do not use the unit in the immediate surroundings of a bath, a shower or a swimming pool.
- 8) Do not insert anything into the air outlet. Do not obstruct air inlet or outlet grilles unless instructed by this manual.
- 9) Do not let children play near this unit.
- 10) Always inspect the cord for signs of damage before use. If the power cord is damaged, it must be replaced by the manufacturer or a qualified service technician.
- 11) When cleaning the unit, always turn the unit off and unplug the power cord.
- 12) Do not mix old and new batteries in the remote control.

Do not mix Alkaline, Standard (Carbon - Zinc) or Rechargeable (Nickel - Cadmium) Batteries.

PACKAGE CONTENTS

Portable Air Conditioner (1)
Exhaust Hose (1)
Exhaust Hose Connector (1)
Window Kit Adapter (1)
Window Kit Adapter Extension (1)
Rubber Plug (1)
Screws (2)
Remote Control (1)
AAA Batteries (2)
Caster Lock (2)
Window Kit - Sliding Panels (3)
Drainage Hose (1)

SPECIFICATIONS

- The cooling capacity is measured at an ambient temperature of DB 95°F, WB 83 °F.
- Noise level is measured at a distance of 3.28 ft away from the front of the unit, when the unit is in cooling mode.
- Power consumption is measured when the fan runs at the highest speed setting.
- These specifications are for reference only. For actual data, please refer to the rating label on the back of the unit.
- If the environment temperature is higher than the max operating temperature or lower than the minimum operating temperature, the air conditioner may not work properly.

MODEL NUMBER	PS08-01 (Ref: KY80)	PS10-01 (Ref: KY100)	PS12-03 (Ref: KY120)
COOLING CAPACITY	8,000 BTU/Hr	10,000 BTU/Hr	12,000 BTU/Hr
DEHUMIDIFYING CAPACITY	86 pts per Day	107 pts per Day	117 pts per Day
COOLING POWER USAGE	914 Watts, 8.3 Amps	991 Watts, 9.1 Amps	1200 Watts, 10.2 Amps
AIR FLOW VOLUME	206 CFM	206 CFM	206 CFM
POWER SOURCE	115 V / 60 HZ	115 V / 60 HZ	115 V / 60 HZ
SOUND PRESSURE LEVEL	53 dB(A)	53 dB(A)	54 dB(A)
PRODUCT WEIGHT	59.5 Lbs	60.6 Lbs	62.8 Lbs
OPERATING TEMPERATURE	70°F-95°F	70°F-95°F	70°F-95°F
PRODUCT DIMENSIONS	10.625" W × 18.875" D × 27.375" H	10.625" W × 18.875" D × 27.375" H	10.625" W × 18.875" D × 27.375" H
REFRIGERANT	R-410A	R-410A	R-410A

LCDI POWER CORD AND PLUG

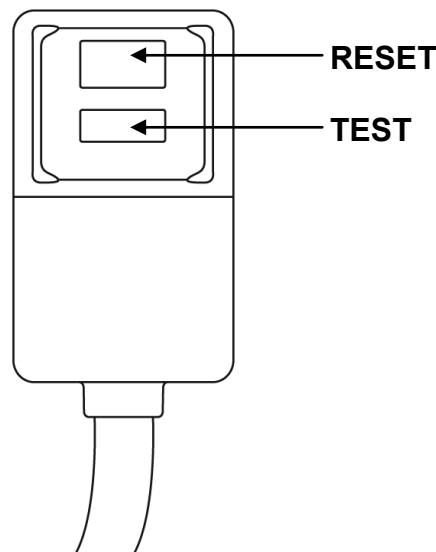
This air conditioner is equipped with an LCDI (Leakage Current Detection and Interruption) power cord and plug as required by US National Electric Code 440.65. This cord consists of a length of shielded flexible cord with no termination on the load side and a LCDI attachment plug on the line side.

The LCDI power cord and plug will remove the supply source via electrical disconnect (circuit trip) if the nominal current leakage between the cord shield and either load conductor exceeds a predetermined value. The cord will remain de-energized until the device has been manually reset. This is intended to reduce the risk of a fire in the power cord or combustible materials nearby. The cord shields are not grounded and they must be considered a shock hazards if exposed. The cord shield must not be connected to ground or to any exposed metal.

The test and reset buttons on the LCDI Plug are used to check if the plug is functioning properly. To test:

1. Plug power cord into wall outlet
2. Press TEST Button, circuit should trip, cutting power to the air conditioner
3. Press RESET button for use

If test button is pressed and unit can still be turned on, current leakage has been detected. Do not use the air conditioner or attempt to reset the LCDI Plug. Contact Soleus Home Comfort Customer Service for troubleshooting recommendations.



Note: Your unit's power cord may differ from the one shown.

WARNING:

1. DO NOT press the TEST button while the air conditioner is operating.
2. The TEST and RESET buttons should not be used as "ON" and "OFF" switches.
3. The cord and plug are not intended to offer protection to externally connected loads or supply circuits.
4. The cord and plug are intended for indoor use only.

ALTERNATIVE LCDI POWER CORD AND PLUG WITH LED LIGHT

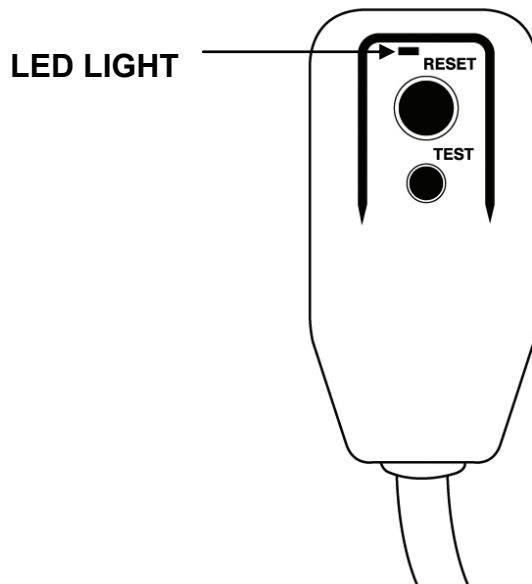
This air conditioner is equipped with an LCDI (Leakage Current Detection and Interruption) power cord and plug as required by US National Electric Code 440.65. This cord consists of a length of shielded flexible cord with no termination on the load side and a LCDI attachment plug on the line side.

The LCDI power cord and plug will remove the supply source via electrical disconnect (circuit trip) if the nominal current leakage between the cord shield and either load conductor exceeds a predetermined value. The cord will remain de-energized until the device has been manually reset. This is intended to reduce the risk of a fire in the power cord or combustible materials nearby. The cord shields are not grounded and they must be considered a shock hazards if exposed. The cord shield must not be connected to ground or to any exposed metal.

The test and reset buttons on the LCDI Plug are used to check if the plug is functioning properly. To test:

1. Plug power cord into wall outlet. The LED light will turn on.
2. Press TEST Button, circuit should trip, cutting power to the air conditioner. When this occurs, the LED light will turn off.
3. Press RESET button to restore power to the machine. Once power is restored, the LED light will turn on again.

If test button is pressed and unit can still be turned on, current leakage has been detected. Do not use the air conditioner or attempt to reset the LCDI Plug. Contact Soleus Home Comfort for troubleshooting recommendations.



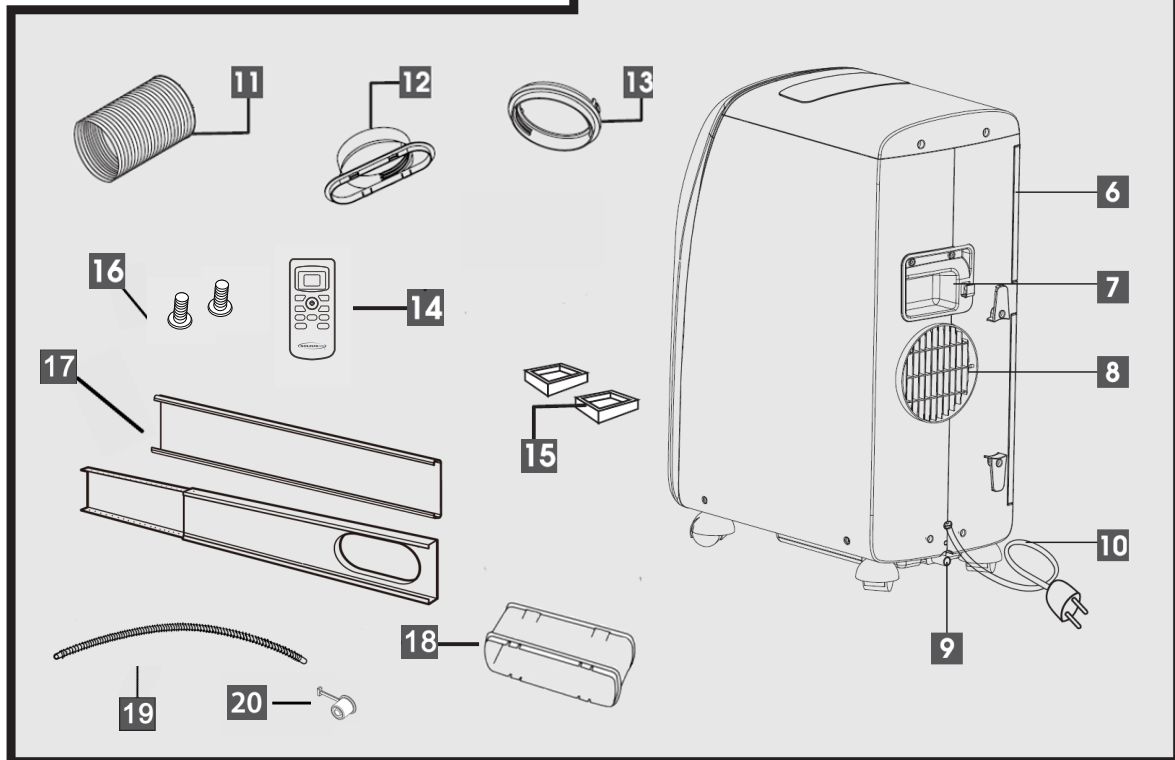
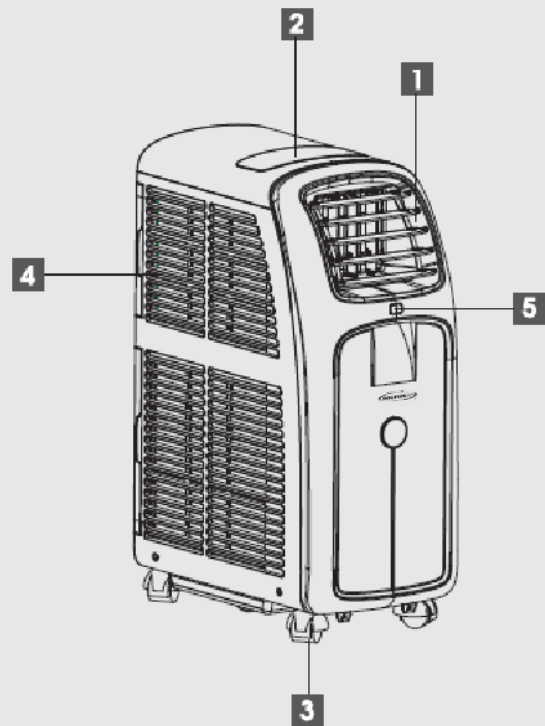
Note: Your unit's power cord and plug may differ from the one shown.

WARNING:

1. DO NOT press the TEST button while the air conditioner is operating.
2. The TEST and RESET buttons should not be used as “ON” and “OFF” switches.
3. The cord and plug are not intended to offer protection to externally connected loads or supply circuits.
4. The cord and plug are intended for indoor use only.

PRODUCT DIAGRAM

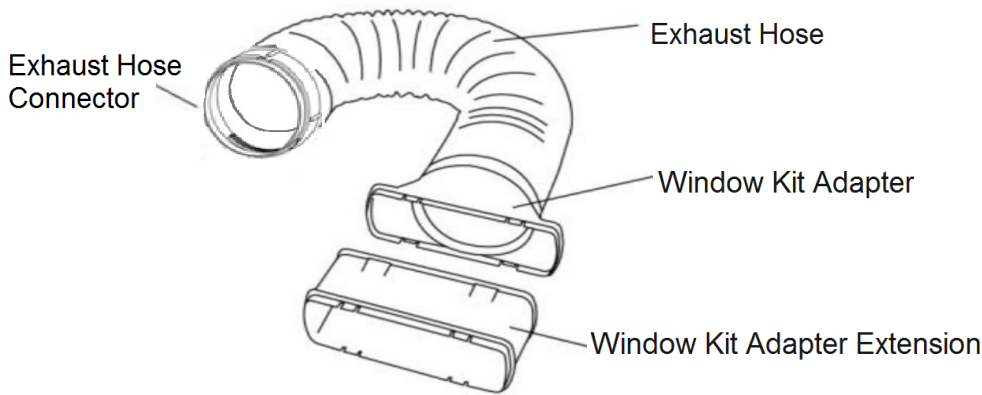
1. Air Outlet Grill
2. Control Panel
3. Casters
4. Air Intake Grill
5. Remote Control Sensor
6. Air Filter
7. Carry Handle
8. Air Exhaust Hose Discharge Opening
9. Condensation Drain Hole
10. Power Cord
11. Exhaust Hose
12. Window Kit Adapter
13. Exhaust Hose Connector
14. Remote Control
15. Caster Locks
16. Screws
17. Window Kit
18. Window Kit Adapter Extension
19. Drainage Hose
20. Rubber Plug
21. Product Manual (Not Shown)



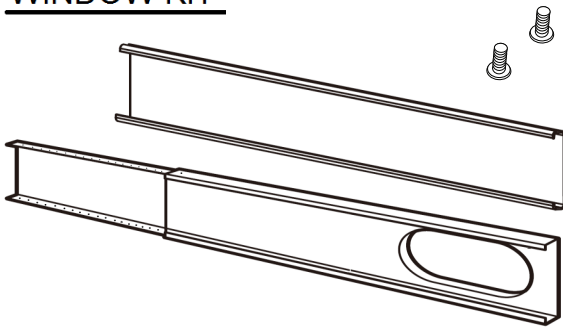
PARTS & ASSEMBLY

PARTS

EXHAUST HOSE



WINDOW KIT



ASSEMBLY & INSTALLATION

INSTALLATION

When the unit is operating as an air conditioner or dehumidifier, the unit draws in indoor air and exhausts hot air out of the room to complete the air exchange. When the unit is operating in fan mode no outdoor air exchange takes place. The window kit and exhaust hose do not need to be installed when the unit is used as a fan.

NOTE: The supplied window kit can be installed in sliding windows and sliding glass doors up to 4.6 ft. long (approximate length).

MOUNTING THE EXHAUST HOSE

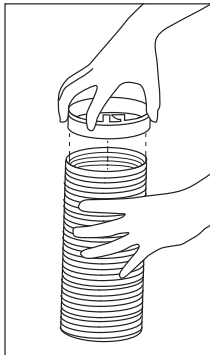
- Choose a suitable location, near a grounded electrical outlet and suitable window or door. Remove packaging and locate components.
- Extend both ends of the exhaust hose approximately 6 inches.
- Screw the window kit adapter onto one end of the exhaust hose counter-clockwise.
- Screw the exhaust hose connector onto the other end of the exhaust hose counter-clockwise.
- Connect the exhaust hose over the Air Exhaust Hose Discharge Opening on the back of the unit.
- Open the window or door and adjust the length of window kit to fit the opening. Then make the kit fixed.
- Attach the window kit adapter of the exhaust hose to the window kit.

WINDOW KIT INSTALLATION

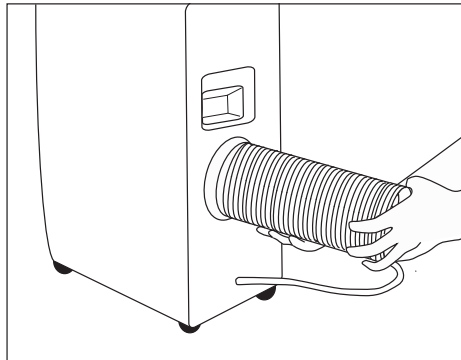
FOR SINGLE HOSE AIR CONDITIONER

The venting kit must be installed in order for the unit to work correctly in the air conditioner mode, dehumidifying mode, and auto mode. The venting kit should not be used while the unit is fanning.

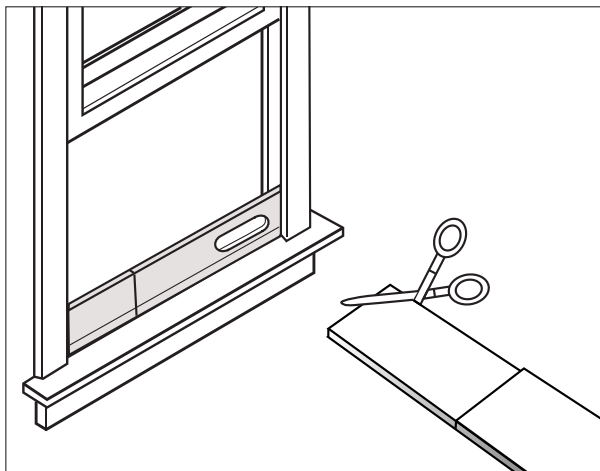
The window kit has been designed to fit into most vertical and horizontal window openings.



1. Screw the Exhaust Hose Connector onto one end of the Exhaust Hose.

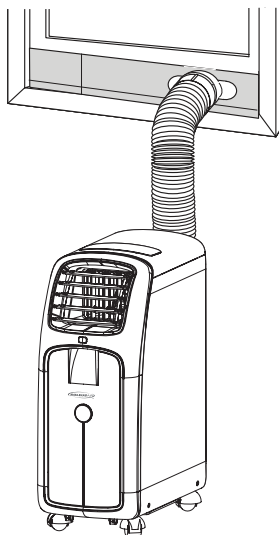
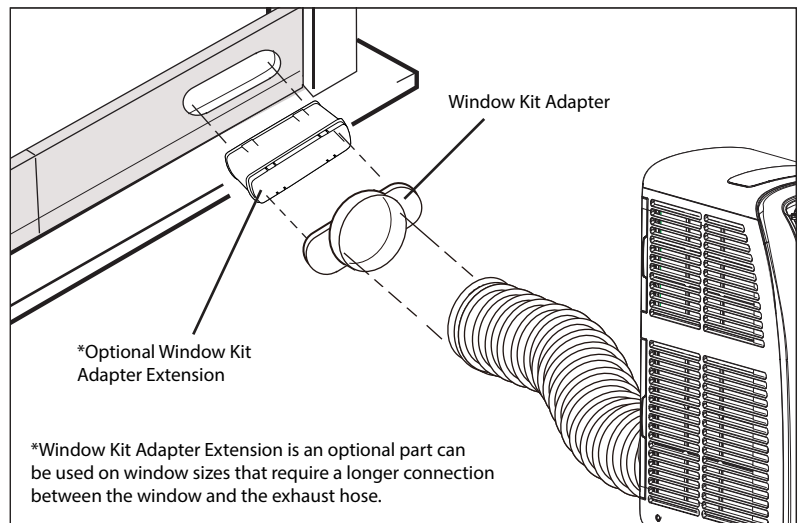


2. Connect the Exhaust Hose over the discharge opening on the back of the unit.



3. Open the window or door to adjust the length of the Window Kit to fit the opening. If necessary, mark the kit and cut one end down to properly fit the opening.

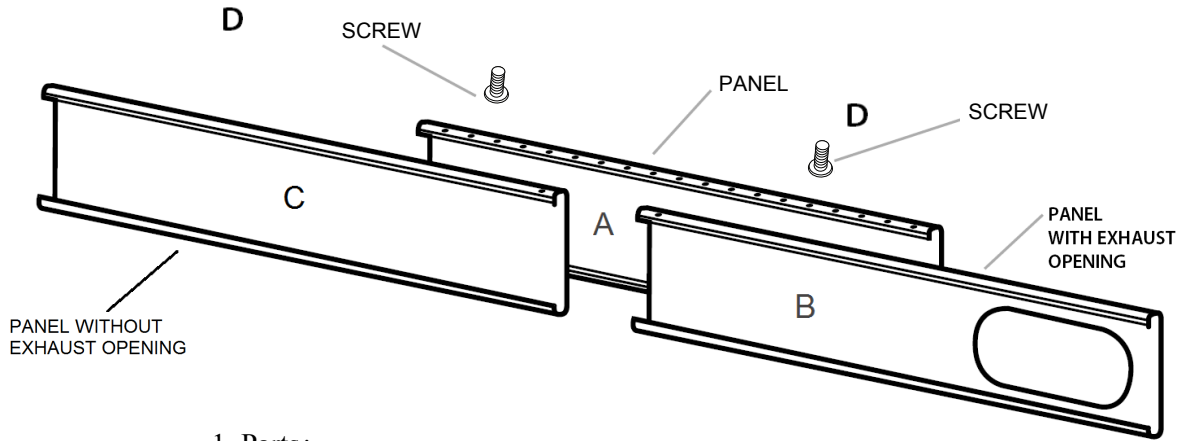
4. Attach the Optional Window Kit Adapter Extension to the Window Kit. Attach the Exhaust Hose to the Window Kit Adapter. Attach the Optional Window Kit Adapter Extension to the Window Kit Adapter. Close the window tightly. Your Portable Air Conditioner is good to go.



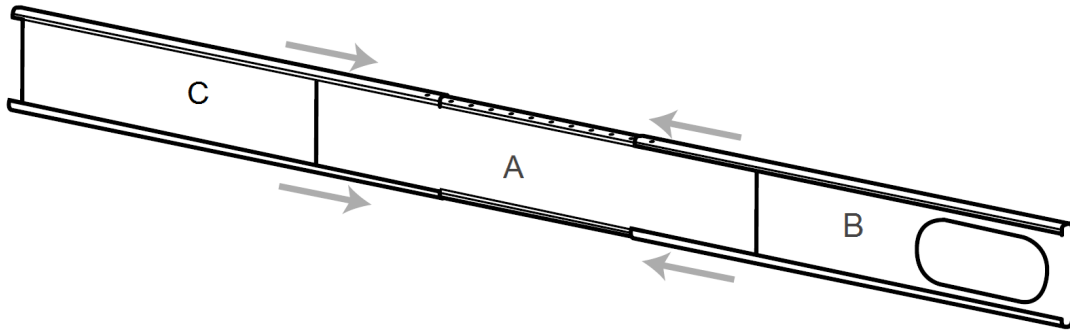
Note: When using the venting system, keep the Exhaust Hose as straight as possible. The Exhaust Hose can be shortened, but it is not recommended to increase the length of the Exhaust Hose. DO NOT use an extension cord with your Portable Air Conditioner.

Note: The Portable Air Conditioner above may differ from the unit described in this manual. The above directions and images show general directions for Soleus Air single hose Portable Air Conditioners.

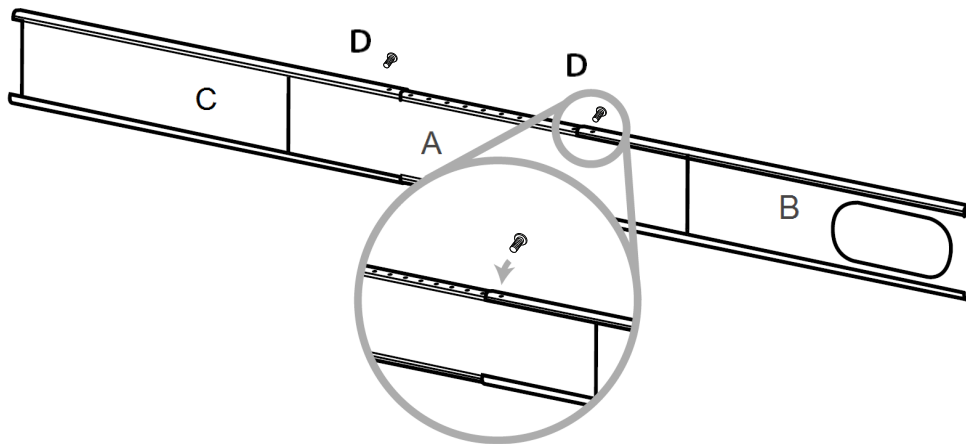
WINDOW KIT ASSEMBLY GUIDE



1. Parts:
- A) Panel
 - B) Panel with one exhaust hose opening
 - C) Panel without exhaust hose opening
 - D) Pins to lock window kit in place



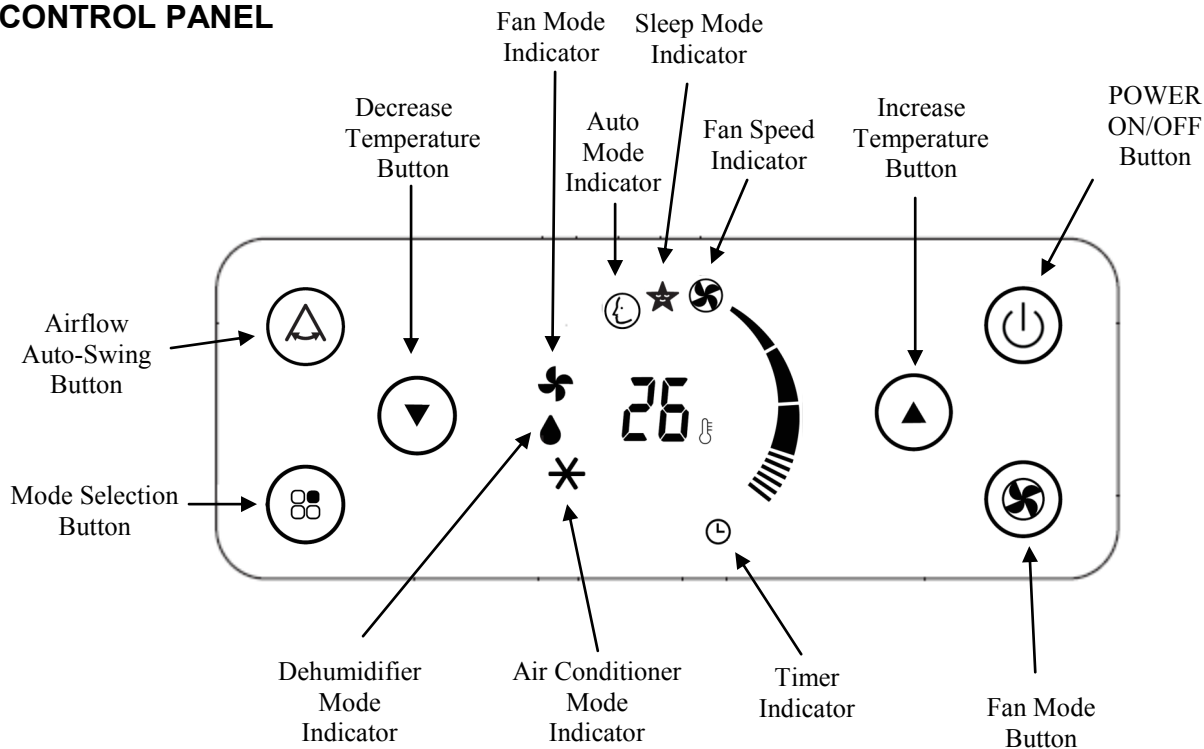
2. Assembly:
- Slide Panel B and C into Panel A and size to window width. Windows sizes vary. When sizing the window width, be sure that the window kit assembly is free from gaps and/or air pockets when taking measurements.



3. Insert the screw into the holes that correspond with the width that your window requires to ensure that there are no gaps or air pockets in the window kit assembly after installation.

CONTROL PANEL, DISPLAY, & OPERATING INSTRUCTIONS

CONTROL PANEL



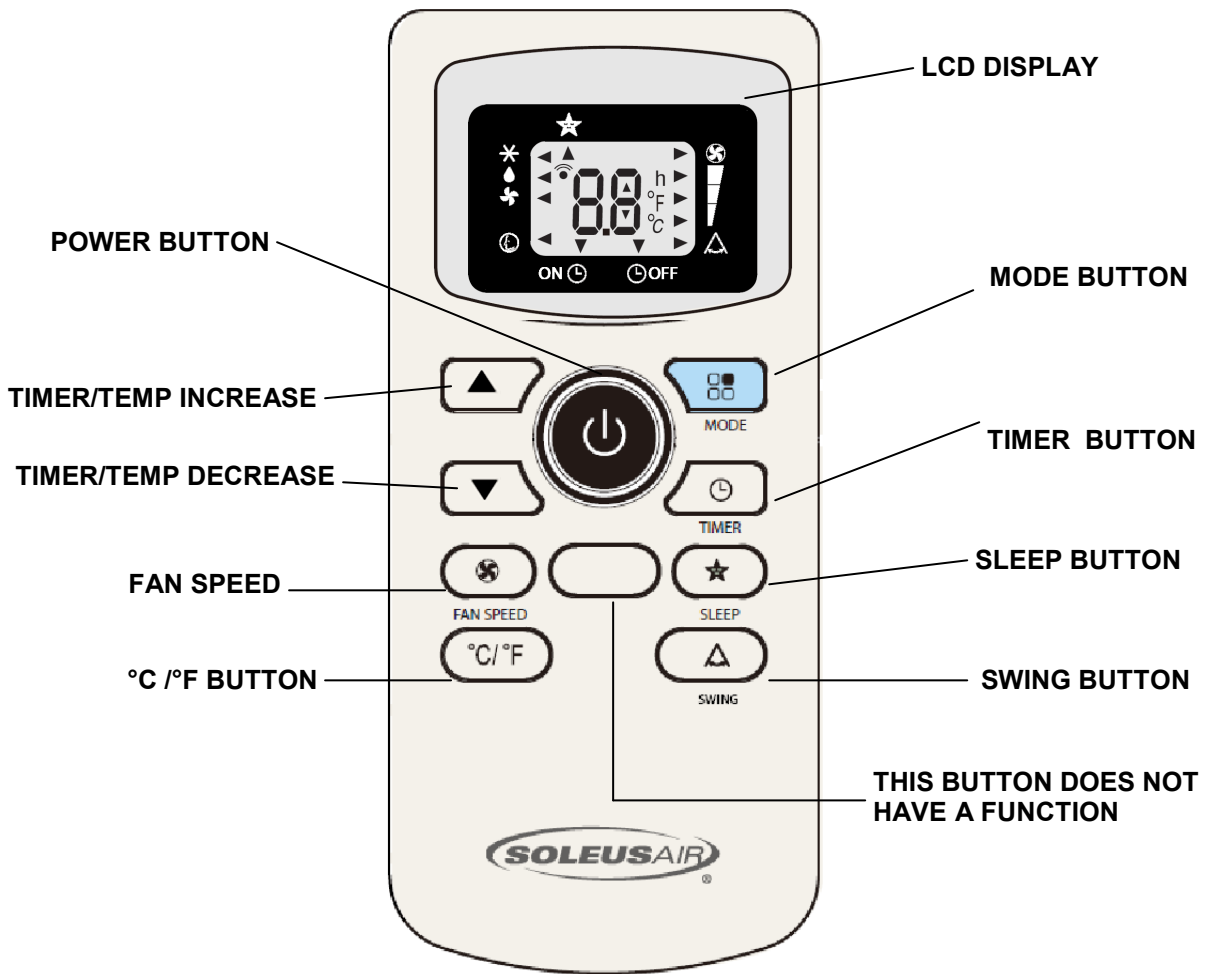
OPERATING INSTRUCTIONS

CONTROL PANEL BUTTONS

- 1) **Power On and Off** - Press the **POWER** button once to manually turn the unit on. Press the **POWER** button once more to turn the unit off.
- 2) **Mode Selection** - Press the **MODE** Button repeatedly to cycle between the different modes: Air Conditioner mode, Dehumidifier mode, Fan only mode, and Auto mode. Each press of the **MODE** button will light up a different icon on the control panel. The exhaust hose and window kit must be installed when the unit is in Air Conditioner, Dehumidifier mode, and Auto mode. When using the unit as a fan, it is not necessary to keep the exhaust hose and window kit connected to the unit.
- 3) **Temperature** - Select the desired temperature by pressing either **▲** or **▼** key when using the unit in Air Conditioner mode. The temperature indicator flashes to display the desired temperature setting. After the temperature is set, the unit will display this temperature setting until it is changed by the user. The temperature indicator display shows temperature in Fahrenheit. Under stand-by condition, press and hold the Mode button for 20 seconds to switch between Celsius and Fahrenheit.
- 4) **Bucket Full** - When the unit cannot evaporate the collected moisture fast enough, the excess water will collect in a backup water tank located inside the unit. The control panel will display "Ft" (Full Tank) if this occurs.
- 5) **Louver Direction** - This unit has 4-way directional louvers. Use the louver guides manually to direct air up and down. To direct air left and right, press the Auto-Swing Button for automatic comfort.


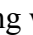
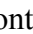
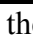
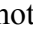
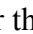


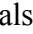

OPERATING THE UNIT USING THE REMOTE CONTROL

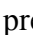

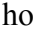

REMOTE CONTROL



* Remote Colors may differ from the image above.

REMOTE CONTROL OPERATING INSTRUCTIONS

- 1) **Power On and Off** - If the unit is already on, press the **POWER**  button on the remote while pointing the remote away from the unit. This will turn the remote on. If the unit is off, now press the **POWER** button once to manually turn the unit on. Press the **POWER** button once more to turn the unit off. When in Air Conditioner mode, the selected temperature will appear on the remote control LCD display. When the unit is in Fan mode, Dehumidifier mode and Auto mode, you will not see anything displayed instead of the set temperature. This shows that temperature selection is not available when the unit is in Fan mode, Dehumidifier mode, and Auto mode.
- 2) **Mode Selection** - Press the **MODE** Button repeatedly to cycle between the different modes: Air Conditioner, Dehumidifier, Fan-Only mode, and Auto. The left side of the remote control LCD display will light up showing which mode is selected. An arrow  will display next to the mode that is selected, indicating which mode the unit is currently operating in.
- 3) **Fan Speed** - Press the **FAN** speed button to cycle through high, medium, low, and auto fan speeds. The display on the remote control will show an arrow  by the current fan speed on the remote control LCD display. When the unit is in Air Conditioner mode and Auto mode, the fan speeds will cycle through in this order: High, Medium, Low, Auto. When the unit is in Dehumidifier mode, the fan speeds will only in auto fan speed. When the unit is in Fan mode, the fan speeds will cycle through in this order: High, Medium, Low. Each change in speed will be associated with a “beep” sound from the unit.
- 4) **Temperature Setting** - When the unit is in Air Conditioner mode you can select your desired temperature. Press the  or  to select your desired temperature setting. The temperature on the LCD display on the remote control will increase or decrease accordingly. Pressing the **°C /°F** button will change the temperature select between °C and °F.
- 5) **SLEEP MODE** - To set Sleep mode, make sure the unit is in Air Conditioner mode, Dehumidifying mode or Auto mode. Press the **SLEEP** Button on the remote control, the remote control will show an arrow  under the “SLEEP” icon on the remote control LCD display. When in **SLEEP** mode, the fan will run on low to keep fan noise at a minimum. The temperature setting will gradually increase to 1°F above the original set temperature for each of first 2 hours. The unit will keep operating the same temperature for 6 hours and switch to standby mode.
- 6) **TIMER** -
Auto-On: To program the timer, when the unit is off, point the remote at the unit and press the **TIMER** button. Once **TIMER** is pressed, the arrow  will display above the **TIMER ON** icon on the remote control LCD display as standby mode. Press the arrow buttons  or  to set the timer. The timer can be set in intervals of 0.5 hours up to 10 hours, then in intervals of 1 hour up to 24 hours. Once the desired time is selected, press the **TIMER** button once more to set it. The arrow  will display above the **TIMER ON** icon on the remote control LCD display to indicate that the timer has been set.

Auto-Off: While the unit is operating, point the remote at the unit and press the **TIMER** button. Once the **TIMER** is pressed, the arrow  will display above the **TIMER OFF** icon on the remote control LCD display. Press the arrow buttons  or  to set the timer. The timer can be set in intervals of 0.5 hours up to 10 hours, then in intervals of 1 hour up to 24 hours. Once the desired time is selected, press the **TIMER** button once more to set it. The arrow  will display above the **TIMER OFF** icon on the remote control LCD display to indicate that the timer has been set.

- 7) **SWING** - To turn on oscillation, press the **SWING** button on the remote control when the unit is in air conditioner mode, fan mode, and dehumidifier mode. The remote control will show an arrow ► by to the “SWING” icon on the remote control LCD display. Once you press **SWING**, the louvers on the unit will oscillate left and right.

OPERATING THE UNIT

Air Conditioner Mode

- 1) Install the exhaust hose and window kit properly (see pages 7 & 8).
- 2) Plug the Power Cord into an electrical outlet.
- 3) Turn on the unit by pressing the **POWER** button.
- 4) Press the Mode button until the air conditioner mode icon lights up on the control panel display.
- 5) Press the ▲ or ▼ until the desired room temperature appears on the control panel display. The temperature ranges from 64°F - 90°F (18°C - 32°C).
- 6) Select the desired fan speed by pressing the **FAN** button by using the Remote control.

NOTE: During hot days, the unit will cool the room most efficiently by setting the temperature at the lowest setting and the fan speed on high. Reducing the length of the exhaust duct, insulating the exhaust hose and window kit, and keeping direct sunlight to a minimum will also improve the cooling efficiency.

NOTE: When the unit is running on air conditioning mode, the exhaust hose is required and must be vented outside using the supplied window kit.

Dehumidifier Mode

- 1) Install the exhaust hose and window kit properly (see pages 7 & 8).
- 2) Plug the Power Cord into an electrical outlet.
- 3) Turn on the unit by pressing the **POWER** Button.
- 4) Press the **MODE** button until the dehumidifier mode icon lights up on the control panel display.

NOTE: The unit operates at low fan speed during dehumidifier mode. The unit cools room slightly during the dehumidification process. Keep the windows and doors closed to aid the effectiveness of the unit in removing the moisture from the room.

NOTE: When the unit is running on dehumidifier mode, the exhaust hose is required and must be vented outside using the supplied window kit.

NOTE: The unit will not perform in dehumidifier mode when the room temperature is lower than 61°F .

Fan Mode

- 1) Plug the Power Cord into an electrical outlet.
- 2) Turn on the unit by pressing the **POWER** button on the control panel.
- 3) Press the **MODE** button until the fan mode icon lights up on the control panel display.
- 4) Select the fan speed by pressing the **FAN** button.

NOTE: It is not necessary for the exhaust hose and window kit to be installed to operate the unit in fan mode.

Auto Mode

- 1) Install the exhaust hose and window kit properly (see pages 7 & 8).
- 2) Plug the Power Cord into an electrical outlet.
- 3) Turn on the unit by pressing the **POWER** button.
- 4) Press the **MODE** button until the **Auto mode** indicator appears on the control panel display.

NOTE: During Auto mode, the unit operates in Fan mode when the room temperature is below 73°F, and Air Conditioner mode when the room temperature is above 73°F.

CONDENSATE EVAPORATION

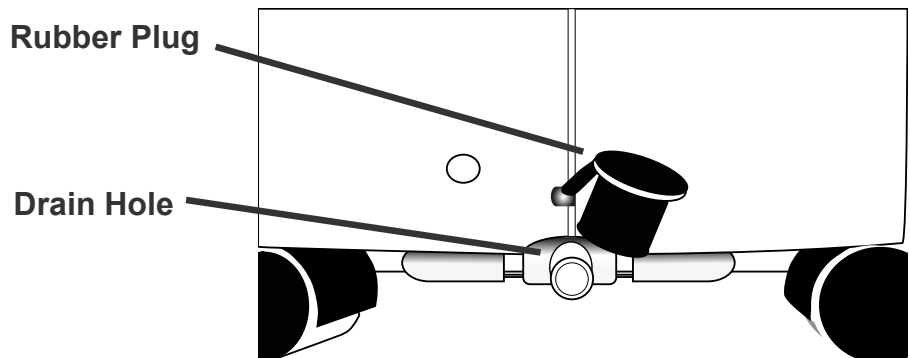
Emergency Condensate Holding Tank

When the room temperature is low and the indoor humidity is high, the air conditioner may not be able to evaporate some of the moisture fast enough. When this happens, the water will accumulate in an emergency condensate tank inside the unit. Once the emergency condensate tank is full, the unit will automatically shut off and the control panel will display “Ft” (Full Tank). To empty the condensate tank, pull the drain plug at the bottom back of the unit. You will need a small pan, approximately 1” high to catch the water coming out of the condensate tank. Connect the supplied drainage hose to the back of the unit to aid in drainage into the pan. Once the condensate tank is drained, the unit will begin working within a few minutes. The emergency condensate tank is approximately 1.5 Liters of water. Another option is to purchase a small hose from a hardware store that can fit around the 9/16” drain plug on the back of the unit and drain the unit into a gravity drain or larger pan for continuous drainage. It is not advised to use continuous drainage when the room temperature is higher than 90°F .

The unit, along with the fan will automatically shut off when the unit displays “Ft” (Full Tank).

To resume operation quickly, empty the water container according to the following steps:

1. Do not move the unit when the water container is full.
2. Place the drain pan under the drainage port at the back of the unit.
3. Remove the rubber plug from the drain hole. The condensate water will drain out automatically.
4. When the drain pan is full, install the rubber plug back onto the drainage hole to stop the water flow.
5. Empty the drain pan.
6. Repeat steps 2-5 until all the water is emptied.



NOTE: Once the water container has been emptied, install the rubber plug back onto the drain hole. It is not advised to use continuous drainage when the room temperature is higher than 90°F .

MAINTENANCE

Note: Make sure power is off and the power cord is not plugged into an electrical outlet prior to performing any maintenance on the unit.

Clean or replace filter - If the air filter is blocked with a dust, the airflow volume may reduce. It is recommended to clean the filter once every two weeks or as needed.

- 1) Remove the filter from the filter compartment on the left of the unit.
- 2) Wash the air filter by immersing it gently into warm water with a neutral detergent. Rinse the filter and dry it thoroughly out of sunlight.
- 3) Slide the filter back into the filter compartment after it is thoroughly dried.
- 4) If the filter is torn or unusable, order a new filter by calling the customer service number on the warranty page of this manual.

Clean the unit Housing

- 1) Keep the unit from being exposed directly to the sun to prevent color fading.
- 2) Clean the surface with a damp cloth and dry it with a soft towel.

Storing the Unit for an Extended Period of Time or Transporting the unit

- 1) Empty any excess water by unplugging the water drainage stop in the back of the unit (located at the bottom).
- 2) Unplug the unit.
- 3) The unit should be stored in a cool dry place.

DISCLAIMER

ALL INFORMATION AND THE TECHNICAL SPECIFICATIONS PRESENTED IN THIS USER'S MANUAL ARE THE PRESENTATION OF THE MANUFACTURER. SOLEUS HOME COMFORT HAS NOT CONDUCTED INDEPENDENT TEST TO THE INFORMATION AND THE SPECIFICATIONS PRESENTED HEREWITHIN.




TROUBLESHOOTING

PROBLEM	CAUSE	SOLUTION
Air conditioner does not power on	<ul style="list-style-type: none"> • Unit is not plugged in. • No electric current to outlet. • Internal safety device has tripped. 	<ul style="list-style-type: none"> • Plug unit in. • Check electric breaker box for a trip. • Wait 30 minutes for safety device to reset.
Air conditioner works for a limited amount of time	<ul style="list-style-type: none"> • There are bends in the exhaust hose. • Something is blocking the air from being discharged. 	<ul style="list-style-type: none"> • Position the air exhaust hose correctly, keeping it as short and free of curves as possible. • Check and remove anything obstructing air discharge.
During operation, there is an unpleasant smell in the room	<ul style="list-style-type: none"> • Air filter is dirty. 	<ul style="list-style-type: none"> • Remove air filters, clean and re-install.
Air conditioner does not operate after restarting the unit	<ul style="list-style-type: none"> • The internal compressor safety device prevents the unit from being restarted until three minutes have elapsed since it was last turned off. 	<ul style="list-style-type: none"> • Wait for compressor to turn on.
The control panel display shows Lt/PF/Ft codes	<ul style="list-style-type: none"> • The unit has a self diagnosis system to identify a number of malfunctions. 	<ul style="list-style-type: none"> • See page 17 to diagnosis the code.

SELF-DIAGNOSIS SYSTEM MALFUNCTION CODES

SELF-DIAGNOSIS

The appliance has a self diagnosis system to identify a number of malfunctions. Error messages are displayed on the appliance display.

IF IS DISPLAYED,	WHAT SHOULD I DO?
 LOW TEMPERATURE : (frost prevention)	The appliance is fitted with a frost protection device to avoid excessive formation of ice. The appliance starts up again automatically when the defrosting process is completed.
 PROBE FAILURE (sensor damaged)	If this is displayed, contact your local authorised service centre.
 FULL TANK (safety tank full)	Empty the internal safety tank. See the CONDENSATION EVAPORATION section on Page 14.

WARRANTY

One Year Limited Warranty

Soleus Home Comfort warrants the accompanying Soleus Air Portable Air Conditioner to be free of defects in material and workmanship for the applications specified in its operation instruction for a period of ONE (1) year from the date of original retail purchase in the United States.

If the unit exhibits a defect in normal use, Soleus Home Comfort will, at its option, either repair or replace it, free of charge within a reasonable time after the unit is returned during the warranty period.

As a condition to any warranty service obligation, the consumer must present this Warranty Certificate along with a copy of the original purchase invoice.

THIS WARRANTY DOES NOT COVER:

- Damage, accidental or otherwise, to the unit while in the possession of a consumer not caused by a defect in material or workmanship.
- Damage caused by consumer misuse, tampering, or failure to follow the care and special handling provisions in the instructions.
- Damage to the finish of the case, or other appearance parts caused by wear.
- Damage caused by repairs or alterations of the unit by anyone other than those authorized by Soleus Home Comfort.
- Freight and Insurance cost for the warranty service.
- Filter and Accessories.

ALL WARRANTIES, INCLUDING ANY IMPLIED WARRANTY OF MERCHANTABILITY ARE LIMITED TO ONE-YEAR DURATION OF THIS EXPRESS LIMITED WARRANTY. **SOLEUS HOME COMFORT** DISCLAIMS ANY LIABILITY FOR CONSEQUENTIAL OR INCIDENTAL DAMAGES AND IN NO EVENT SHALL SOLEUS HOME COMFORT'S LIABILITY EXCEED THE RETAIL VALUE OF THE UNIT FOR BREACH OF ANY WRITTEN OR IMPLIED WARRANTY WITH RESPECT TO THIS UNIT.

This warranty covers only new products purchased from our authorized dealers or retailers. It does not cover used, salvaged, or refurbished products.

As some states do not allow the limitation or exclusion of incidental or consequential damages, or do not allow limitation on implied warranties, the above limitations and exclusions may not apply to you. This warranty gives you specific legal rights, and you may also have other rights that vary from state to state.

For Technical Support and Warranty Service

Please Call (877) 976-5387